

IMPORTANT SAFEGUARDS:

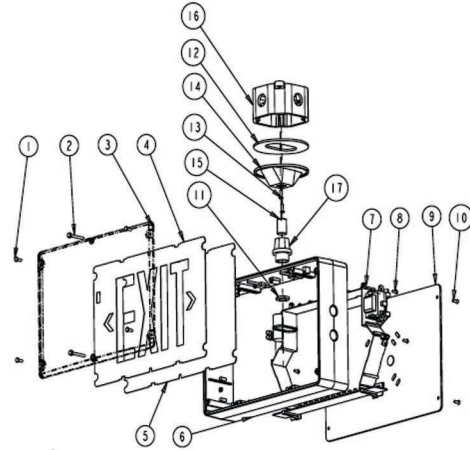
When using electrical equipment, basic safety precautions should always be followed including the following:

READ AND FOLLOW ALL SAFETY INSTRUCTIONS

1. Do not let power supply cords touch hot surfaces.
2. Do not mount near gas or electric heaters.
3. Use caution when handling batteries. Avoid possible shorting.
4. Equipment should be mounted in locations and at heights where it will not readily be subjected to tampering by unauthorized personnel.
5. The use of accessory equipment not recommended by the manufacturer may cause an unsafe condition.
6. Do not use this equipment for other than intended use.
7. All servicing should be performed by qualified service personnel.

FIG 1. PART LIST

- | | |
|---|---------------------------------------|
| 1. Tamper-proof screws short (4 per lens) | 9. Backplate (single face sign) |
| 2. Tamper-proof screws long (2 per lens) | 10. Backplate tamper-proof screws (4) |
| 3. Lens | 11. Lock-nuts (2) |
| 4. EXIT panel | 12. Junction box gasket |
| 5. Diffuser panel | 13. Junction box screws(2) |
| 6. Frame | 14. J-box Cover |
| 7. Electronic module | 15. Nipple |
| 8. Electronic module screws (4) | 16. Junction box |
| | 17. Hub |



SAVE THESE INSTRUCTIONS

INSTALLATION INSTRUCTIONS

1. TURN OFF UNSWITCHED AC POWER.

Ceiling Mount

- a. Remove j-box assembly from carton. Remove j-box cover from jbox assembly and retain securement screw.
- b. Install junction box and route unswitched AC circuit wires into the junction box and leave 6" of wire length.
- c. Remove lens, exit panel and diffuser panel on the front of the unit (use the supplied bit to remove the tamper-proof screws).
- d. In order to access the knockouts of the frame, remove the 4 electronic module screw(s) holding the electronic module to the frame and separate them (see fig.2).
- e. Remove knockout on top of the frame. Determine which holes in the exit frame will be used for mounting (see fig.1). Support frame by two blocks of wood, maximum one inch apart. Strike knockouts with a hammer and screwdriver. Clear holes of burrs to allow proper assembly of nipple/wire assembly.
- f. Secure j-box cover to the frame using the provided nut.
- g. Reassemble the electronic module inside the frame.

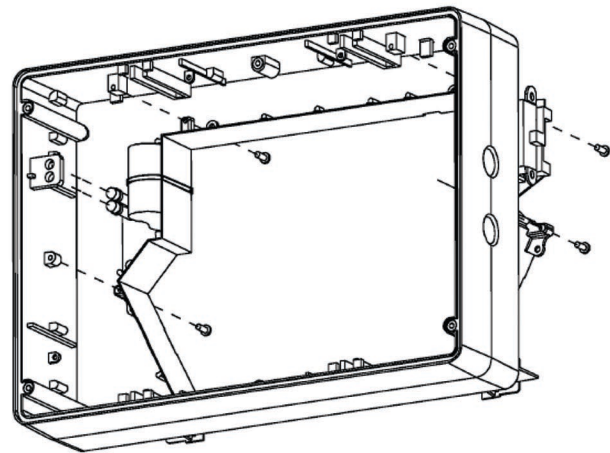


FIG 2.

Wall Mount (Single Face Model Only)

- a. Remove j-box assembly from carton. Remove j-box cover from jbox assembly, install Hub on j-box and retain securement screw.
- b. Remove the backplate(9) from the packaging. Determine the proper knockouts to remove for mounting to the junction box (see fig.3).
- c. Support area around knockouts with two blocks of wood. Strike knockouts from the inside with a hammer and a screwdriver.
- d. Reinstall the backplate to the frame using the 6 tamper-proof screws (use the supplied bit).

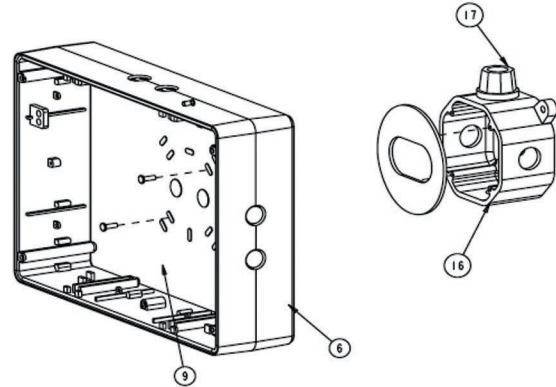


FIG 3.

2. ELECTRICAL CONNECTIONS

Connect one end to the transformer leads, inside the enclosure, and the other end, to AC line voltage inside the junction box. Connect the white lead to neutral and the purple lead to AC line voltage (the input is universal 110 to 347 VAC). (See fig. 4). Connect the ground(green wire) to the junction box.

Optional:

For AC models used with DC remote power. One end connects to the LED-STRIP leads, inside the enclosure, and the other end to DC input inside the junction box. Connect the red lead to positive, and the blue lead to the negative of the remote DC input (See fig. 4).

3. FOR CEILING MOUNT:

Mount the frame and j-box cover assembly to junction box by using the provided securement screw. For wall mount: Attach the frame(6) to the junction box, using the junction box supplied screws. Install 2 stem washers to ensure bonding.

4. REINSTALL THE DIFFUSER AND THE EXIT PANEL (IF REQUIRED, REMOVE THE APPROPRIATE CHEVRON).

5. INSTALL THE LENS BY USING THE 6 TAMPER-PROOF SCREWS. THE TAMPER-PROOF SCREWS SHOULD BE EQUALLY TORQUED TO APPROXIMATELY

5 LBS-IN (0.6 N-M).

6. ENERGIZE AC. SIGN WILL ILLUMINATE.

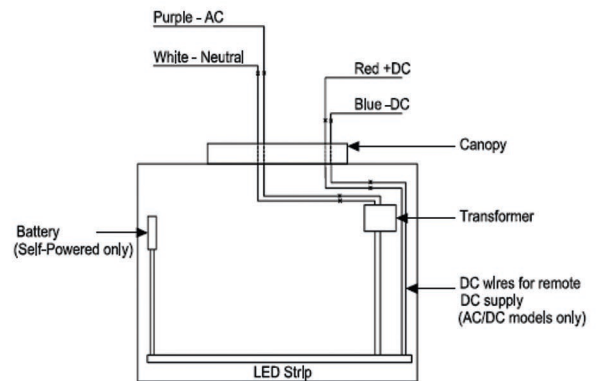


FIG 4.

MANUAL TESTING (SELF-POWERED MODELS)

Operate the magnetic "test switch" by holding the provided magnet underneath the unit where indicated on the frame. The AC pilot lamp will go out, the legend will flicker, but remain lit. Remove the magnet. The AC pilot light will turn on, the legend will flicker but remain lit.

AUTOMATIC TESTING (SELF-POWERED MODELS)

The unit will perform an automatic self-test of 30 seconds every 30 days, 60 second every 60 days and a 90 minute self-test once a year.