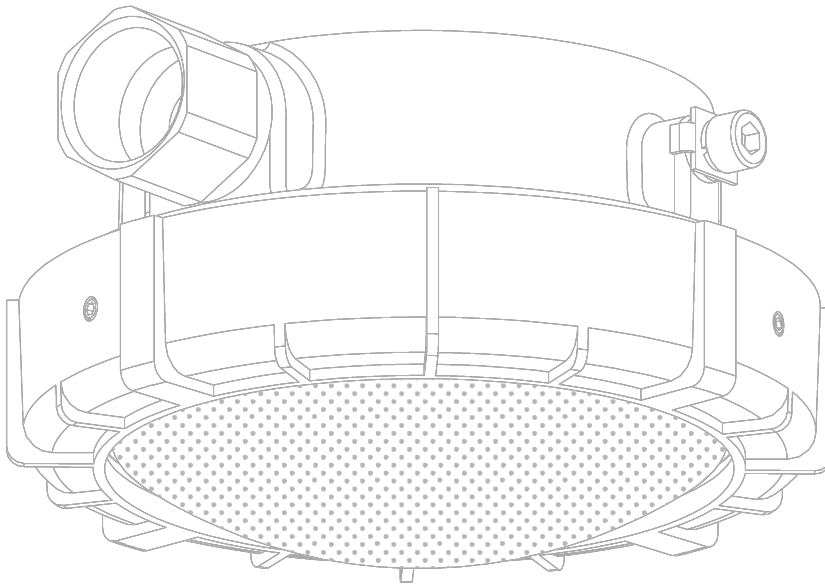


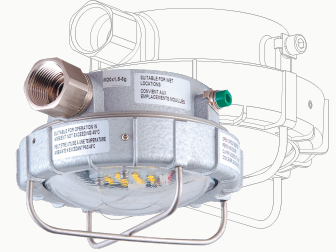


A R C U S

PFD-HL LED LUMINAIRES

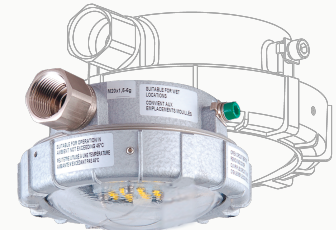


PLAFOND™ FOR EX



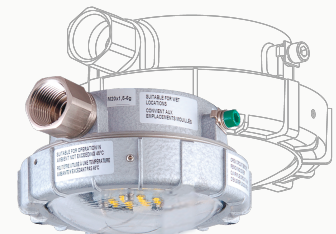
EXPLOSION PROOF 

PLAFOND™ FOR HL



HAZARDOUS LOCATION 

PLAFOND™ FOR IL



INDUSTRIAL LOCATION 

SPECIFICATION

MODEL WATTAGE	20W
LUMEN OUTPUT	2300 LM*
DIMENSIONS	5.7 x 3.3 (145mm x 85mm)
NET FIXTURE WEIGHT	2.4 lbs (1.1 kg)
ENCLOSURE MATERIAL	Copper free aluminum alloy
FINISH	Polyester powder coat finish
HARDWARE AND MOUNTING	Marine grade stainless steel parts and screws
CABLE GLANDS AND CONNECTORS	Classified for CID2 nickel plated brass adapter from M20 to 3/4"
LENS	Military Grade UL94 V-0 rated Lexan
LIGHT SOURCE	High Power CREE LEDs
COLOR RENDITION INDEX (CRI)	> 70
INPUT POWER (+25°C)	20W
FIXTURE EFFICIENCY	110 LPW
LED DRIVER	Custom made, 120-277 VAC, 50/60Hz; 230-370 VDC; MEAN WELL 15-30 VDC
LED DRIVER PROTECTION	Overload, over-temperature and short-circuit protection
SURGE PROTECTION	1kV
POWER FACTOR	> 0.95
THD (total harmonic distortion)	<30%
INRUSH CURRENT	15A
AMBIENT OPERATING TEMPERATURE	-40°C TO +45°C
T-RATING (+45°C)	T5
FIXTURE LIFE (+25°C)	70 000 hours
FIXTURE LIFE (+45°C)	40 000 hours
FIXTURE LIFE (+55°C)	N/A
ACCESSORIES (order separately)	N/A
WARRANTY	5 Years

* - Measurement tolerance +/- 10%

ETL/cETL CERTIFIED TO:

UL844 for use in Hazardous (Classified) Locations
 UL 1598 Suitable for Wet Locations
 UL 1598A Marine Outside Type (Saltwater)
 CSA C22.2 No. 250.0
 CSA C22.2 No. 137
 IP66 rated per IEC 60598-1 |
 -40°C to +45°C

APPROVED FOR:

Class I Division 2 Groups A, B, C, D
 Class I Zone 2 Group IIC
 Class II Division 1 and 2 Groups E, F
 Class II Zone 20, 21, or 22 Group IIB
 Class III
 1Ex d IIC T5 | -40°C to +45°C

ARCUS PFD-HL LED BENEFITS:

- Instant on/no warm up
- Extreme compact size and weight
- Energy-efficient/up to 65% savings when compared to traditional HID lighting
- Up to 23 years (at 12hrs a day) of light, eliminating bulb and ballast replacement maintenance
- Operating ambient -40°C to +45°C
- 5 year warranty
- High CRI for improved visibility and clarity
- Damn near bullet proof

APPLICATION

- Jelly Jar replacements
- CID2 Hazardous locations
- Locations requiring continuous and consistent light levels in extreme heat or cold.
- Hazardous Storage
- Marine, Engine and Battery Rooms



ORDERING INFORMATION: PART NUMBER EXAMPLE PFD-HL-SS-XPC-RV-120-5K-20W-S

- 1 PFD
- 2 HL
- 3 SS
- 4 XPC
- 5 RV
- 6 120
- 7 5K
- 8 20W
- 9 S

DETAILED INFORMATION

2 FAMILY NAME ENCLOSURE TYPE

HL Hazardous Locations Rated Body

3 MOUNTING

SS Surface Secured (Standard)
UC Universal Surface
HB Wall Mount Bracket

4 REFLECTOR

XPC Extreme polycarbonate lens

5 VOLTAGE

RV 120-277 VAC, 50/60 Hz
LV 15-30 VDC

6 SECONDARY OPTICS

120° Full Flood (No Optics - Standard)

7 COLOR TEMPERATURE

3K 3000K Warm Yellow
4K 4000K Warm White
5K 5000K Cool White (Standard)

8 WATTAGE LUMEN

20W

9 BODY COLOR

S Silver (Standard)

PROJECT INFORMATION

PROJECT NAME:

LOCATION:

DESCRIPTION:

CONTACT INFORMATION:

NAME:

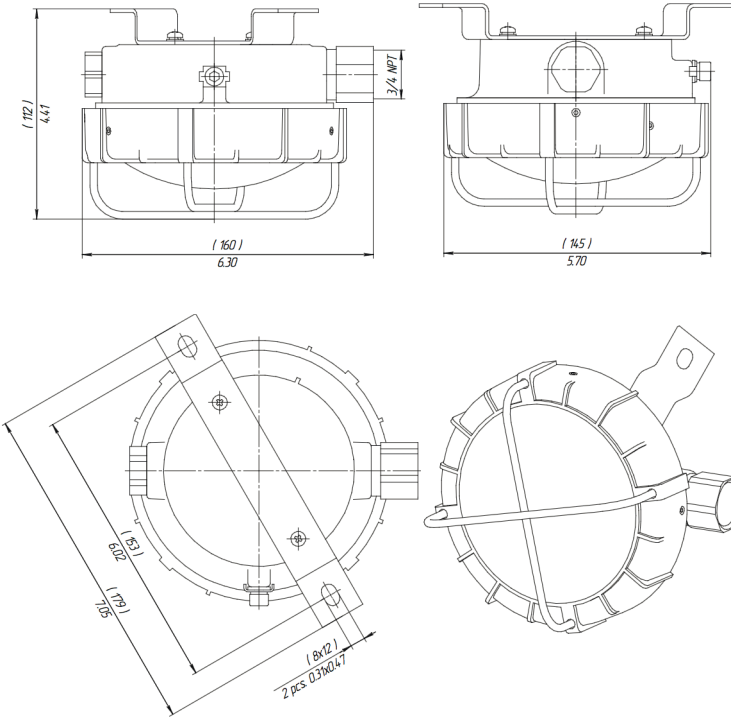
E-MAIL:

PHONE:

DATE:

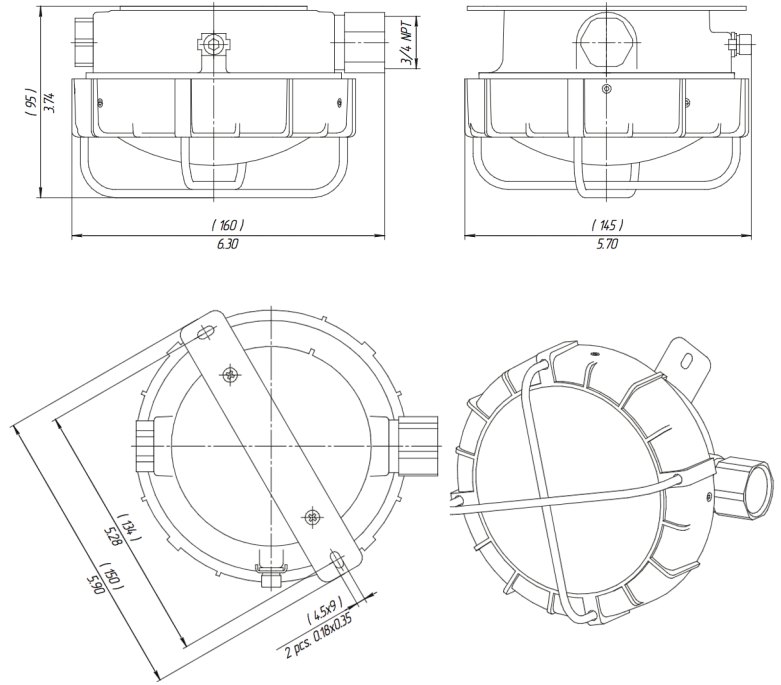
PFD-HL (SS BRACKET)

FIXTURE WEIGHT:
2,65 lb (1,2 kg)



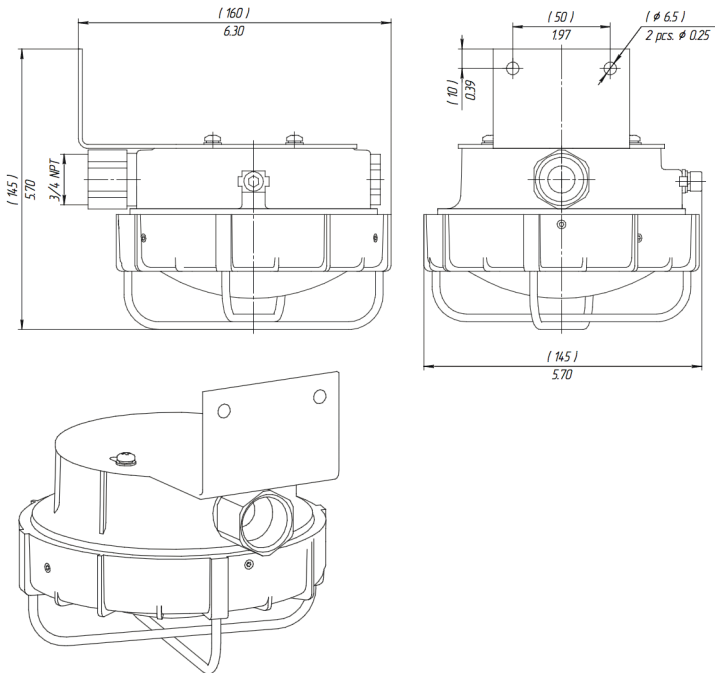
PFD-HL (UC BRACKET)

FIXTURE WEIGHT:
2,56 lb (1,16 kg)



PFD-HL (HB BRACKET)

FIXTURE WEIGHT:
2,94 lb (1,33 kg)





CONTACTS

(858) 353-1073

SALES@ARCUSLIGHT.COM

10457 ROSELLE STREET, SUITE #E
SAN DIEGO, CA 92121