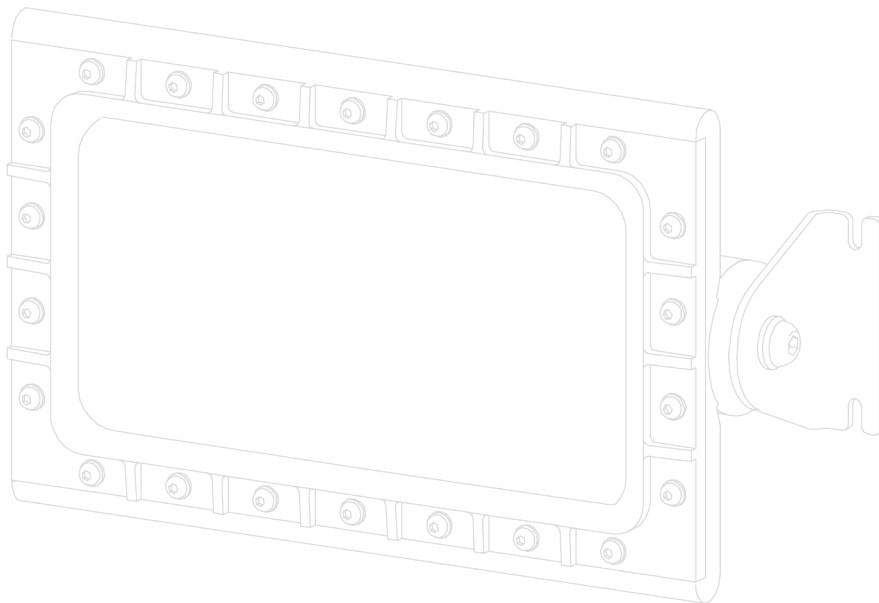


A R C U S

TAB-IL LED LUMINAIRES

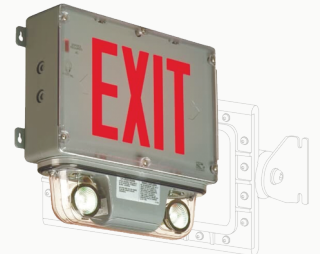


TABLEX™ FOR EX



EXPLOSION PROOF 

TABLEX™ FOR HL



HAZARDOUS LOCATION 

TABLEX™ FOR IL



INDUSTRIAL LOCATION 



SPECIFICATION

DIMENSIONS	9.25 X 13.25 X 3.5 IN (4.38 X 4.75 X 2.25 IN) 234.95 X 336.55 X 88.9 MM (111.25 X 120.65 X 57.15 MM)	
LEGEND COLOR	RED	GREEN
CONSTRUCTIONS	FULLY GASKETED HOUSING FRAME FACEPLATE: HEAVY-DUTY, VANDAL-RESISTANT POLYCARBONATE BACKPLATE: HEAVY-DUTY ALUMINUM STAINLESS STEEL TAMPER-PROOF SCREWS 6 INCH EXIT LETTERING LEGEND, AVAILABLE IN RED OR GREEN FIELD-SELECTABLE CHEVRONS	
ELECTRONICS	MAGNETIC TEST SWITCH STANDARD ADVANCED DIAGNOSTICS (NON-AUDIBLE) OPTIONAL NEXUS® MONITORING SYSTEM 120/277 60HZ	
MOUNTING	SURFACE MOUNT JUNCTION BOX INCLUDED FOR WALL, END OF CEILING MOUNT APPLICATIONS 1/2 INCH CONDUIT KNOCK-OUT ENTRY ON TOP AND SIDES	
BATTERY TYPE	SVXHZ AC-ONLY	SVXNHZ SELF-POWERED
WARRANTY	FIVE-YEAR LIMITED WARRANTY	

ETL/cETL CERTIFIED TO:

CSA-US (TO UL 924 STANDARDS) EVALUATED TO THE UL 844 STANDARD FOR CLASS I DIVISION 2, GROUPS A, B,C AND D NEC, OSHA AND NEMA COMPLIANT FOR ABOVE CLASSES AND GROUPS DAMP AND WET LOCATION (50°F TO 104°F) MEETS NFPA101 (LIFE SAFETY CODE), NFPA 70 – NEC AND OSHA ILLUMINATION STANDARDS

APPROVED FOR:

CLASS I DIVISION 2, GROUPS A, B, C AND D HAZARDOUS LOCATION EXIT SIGN

ARCUS TAB-HL LED BENEFITS:

Withstands rugged use with a fully gasketed housing frame; vandal-resistant heavy-duty polycarbonate faceplate; heavy aluminum backplate

Offers versatility with field-selectable chevrons and 6" EXIT lettering in red or green; special wording panels available

Accommodates surface, wall, end, and ceiling mount installation

Reduces maintenance with standard advanced diagnostics and optional NEXUS® monitoring system compatibility

CSA-US approved to UL 924 standards; evaluated to the UL 844 standard for Class I Division 2, Groups A, B, C and D; NEC, OSHA and NEMA compliant for stated Classes and Groups; damp and wet location 50°F to 104°F (10°C to 40°C); meets NFPA101 (Life Safety Code), NFPA 70-NEC and OSHA illumination standards
Five-year limited warranty

APPLICATION

- Waste Water Treatment
- Oil and Gas Refining
- Hazardous Locations
- Hazardous Storage
- Marine, Engine and Battery Rooms
- Manufacturing Facilities





ORDERING INFORMATION: PART NUMBER EXAMPLE TAB-IL-SF-1-RL-AC-R-1,5-S

1	TAB	2	IL	3	UC	4	1	5	RV	6	AC	7	R	8	1,5	9	S
---	-----	---	----	---	----	---	---	---	----	---	----	---	---	---	-----	---	---

DETAILED INFORMATION

<p>2 FAMILY NAME ENCLOSURE TYPE</p> <p>IL (Industrial Location)</p>	<p>3 MOUNTING</p> <p>UC Universal Surface</p>	<p>4 NUMBER OF FACES</p> <p>1 2</p>	<p>5 VOLTAGE</p> <p>RV 120-277 VAC, 60 Hz</p>
<p>6 SERIES</p> <p>AC Standard power BB Battery Backup</p>	<p>7 LEGEND COLOR</p> <p>R Red G Green</p>	<p>8 WATTAGE</p> <p>1.5W 2.0W 2.5W</p>	<p>9 BODY COLOR</p> <p>S Silver (Standard)</p>

PROJECT INFORMATION

PROJECT NAME:

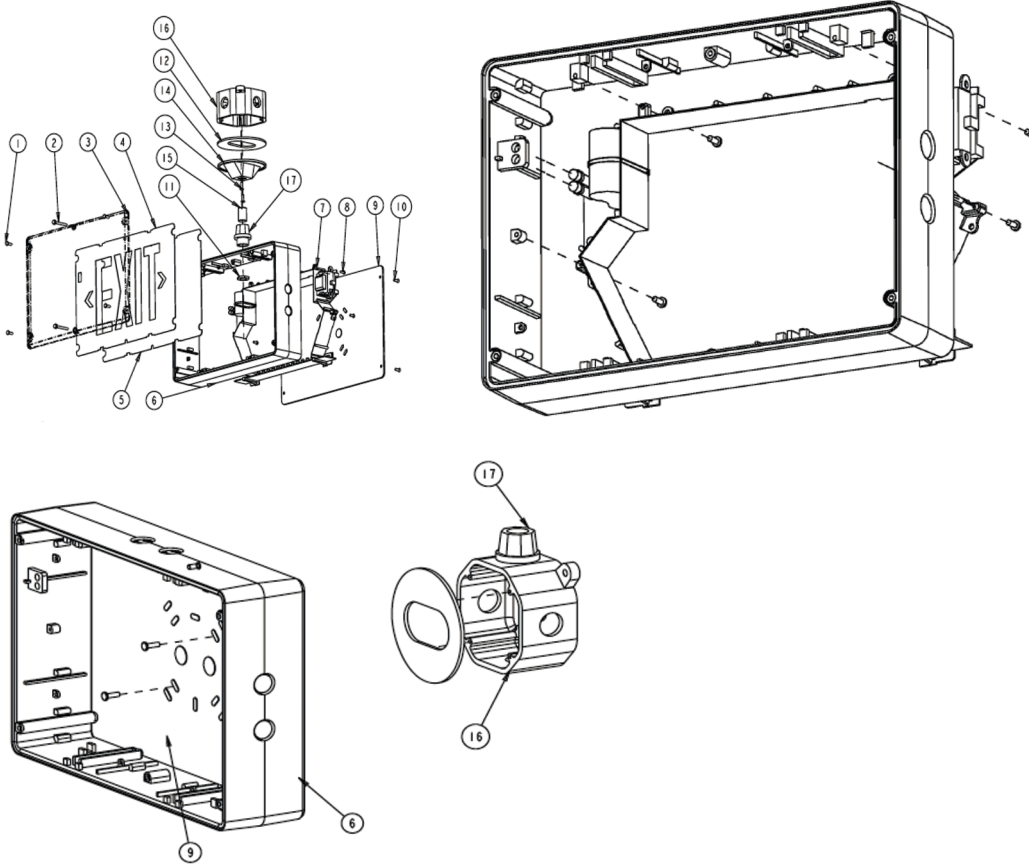
LOCATION:

DESCRIPTION:

CONTACT INFORMATION:

NAME: <input type="text"/>	E-MAIL: <input type="text"/>
PHONE: <input type="text"/>	DATE: <input type="text"/>

TAB-IL





CONTACTS

(858) 353-1073

SALES@ARCUSLIGHT.COM

10457 ROSELLE STREET, SUITE #E
SAN DIEGO, CA 92121