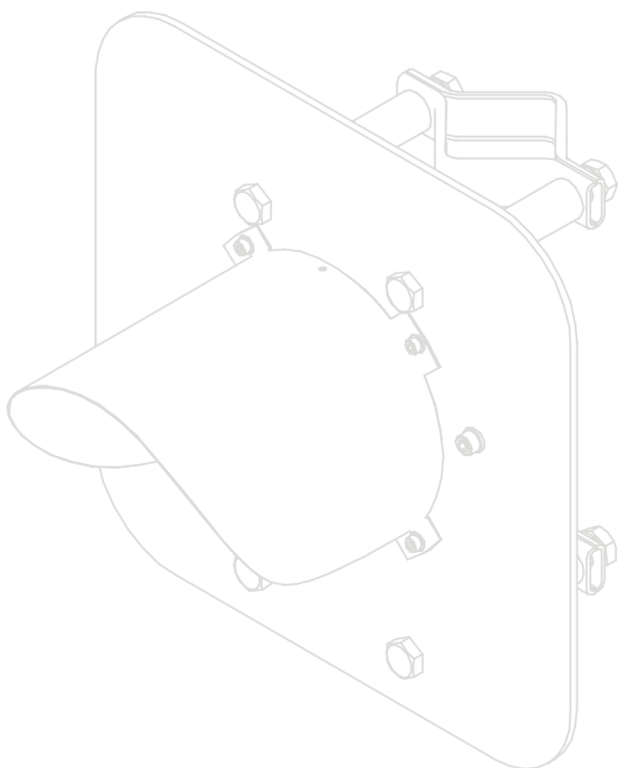
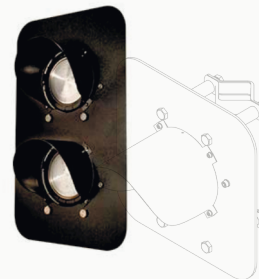


A R C U S

## TRF-IL LED LUMINARIES



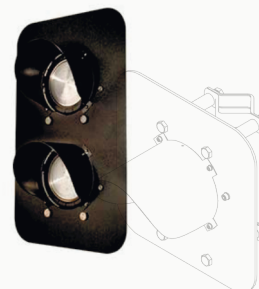
TRAFFEX™ FOR EX



EXPLOSION PROOF



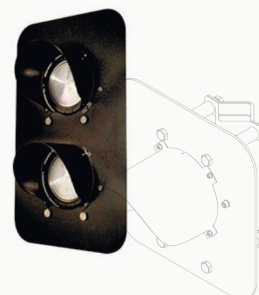
TRAFFEX™ FOR HL



HAZARDOUS LOCATION



TRAFFEX™ FOR IL



INDUSTRIAL LOCATION





## SPECIFICATION

MODEL WATTAGE	15W	30W	45W
LUMEN OUTPUT	N/A		
DIMENSIONS	11.8 X 11.8 X 10.1 IN (300 X 300 X 256 MM)	19.7 X 11.8 X 10.1 IN (500 X 300 X 256 MM)	27.6 X 11.8 X 10.1 IN (700 X 300 X 256 MM)
NET FIXTURE WEIGHT (with PM type of mounting)	7.7 LBS (3.5 KG)	13.2 LBS (6.0 KG)	15.4 LBS (7.0 KG)
ENCLOSURE MATERIAL	Copper free aluminum alloy		
FINISH	Polyester powder coat finish		
HARDWARE AND MOUNTING	Marine grade stainless steel parts and screws		
CABLE GLANDS AND CONNECTORS	Classified for IP66 nickel plated brass M20 adapter to 3/4" adapter with 6 feet of wire		
LENS	Military Grade UL94 V-0 rated Lexan/Tempered clear borosilicate glass		
LIGHT SOURCE	High Power LEDs CREE		
COLOR RENDITION INDEX (CRI)	> 70		
INPUT POWER (+25°C)	15W	30W	45W
FIXTURE EFFICIENCY	N/A		
LED DRIVER	CUSTOM MADE, 100-280 VAC, 50/60HZ; 230-370 VDC, 12-36 VDC (LLV)		
LED DRIVER PROTECTION	OVERLOAD, SHORT-CIRCUIT PROTECTION		
SURGE PROTECTION	1KV (EXCEPT LLV)		
POWER FACTOR	> 0.95		
THD (total harmonic distortion)	<30%		
INRUSH CURRENT	12A	23A	34A
AMBIENT OPERATING TEMPERATURE	-40°C TO +55°C		
T-RATING FOR (+55°C)	T6		
FIXTURE LIFE (+25°C)	70 000 HOURS (RV)* 100 000 HOURS (LLV)		
FIXTURE LIFE (+55°C)	40 000 HOURS		
FIXTURE LIFE (+65°C)	N/A		
WARRANTY	5 YEARS		

### ETL/cETL CERTIFIED TO:

UL 1598 Suitable for Wet Locations  
 UL 1598A Marine Outside Type  
 (Saltwater)  
 CSA C22.2 No. 250.0  
 CSA C22.2 No. 137  
 IP67 rated per IEC 60598-1 | -25°C to +45°C

### ARCUS TRF-IL LED BENEFITS:

- Instant on/no warm up
- Extreme compact size and weight
- Energy-efficient/up to 65% savings when compared to traditional HID lighting
- Improved Safety
- Operating ambient -40°C to +55°C
- 5 year warranty
- High CRI for improved visibility and clarity
- Damn near bullet proof

### APPLICATION

Loading Terminals  
 Dust, Wet,  
 Energy, Gas & Oil  
 Manufacturing  
 Wastewater  
 Scale Houses  
 Intersection with in facilities

### APPROVED FOR:

IP67  
 Dust proof, water resistant, high temperature and sub zero applications  
 Corrosive atmospheres, marine rated, extreme wet applications



**ORDERING INFORMATION:** PART NUMBER EXAMPLE TRF-IL-TB-SPC-RV-120-R-15W-BK

- 1 TRF
- 2 IL
- 3 TB
- 4 SPC
- 5 RV
- 6 120
- 7 R
- 8 15W
- 9 BK

**DETAILED INFORMATION**

<p><b>2 FAMILY NAME ENCLOSURE TYPE</b></p> <p>IL Industrial locations rated body</p>	<p><b>3 MOUNTING</b></p> <p>TB Stanchion Mount Vertical (Standard) TBH Stanchion Mount Horizontal UC Universal Mount Vertical UCH Universal Mount Horizontal</p>	<p><b>4 REFLECTOR (LENS)</b></p> <p>SPC Special Polycarbonate lens</p>	<p><b>5 VOLTAGE</b></p> <p>RV 120-277 VAC, 50/60 Hz LLV 12 VDC (special order)</p>
<p><b>6 SECONDARY OPTICS</b></p> <p>120° Full Flood (No Optics - Standard)</p>	<p><b>7 COLOR TEMPERATURE</b></p> <p>R Red Color RG Red   Green RYG Red   Yellow   Green</p>	<p><b>8 WATTAGE</b></p> <p>15W 30W 45W</p>	<p><b>9 BODY COLOR</b></p> <p>BK Black (Standard)</p>

**PROJECT INFORMATION**

PROJECT NAME:

LOCATION:

DESCRIPTION:

**CONTACT INFORMATION:**

NAME:

E-MAIL:

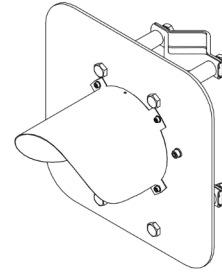
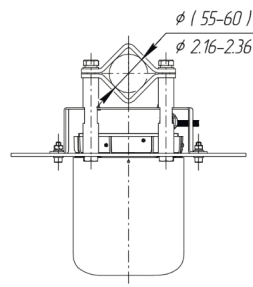
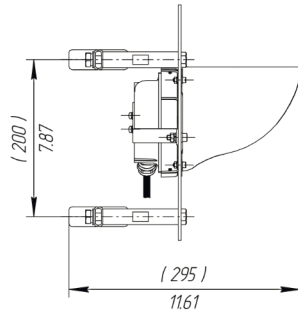
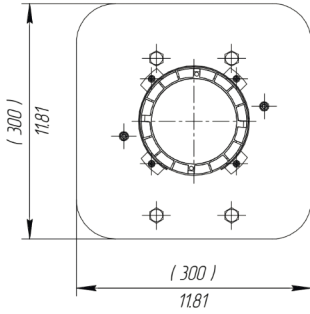
PHONE:

DATE:



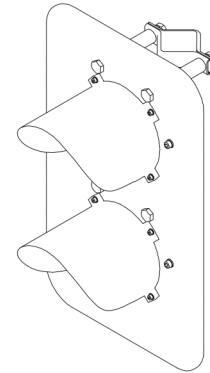
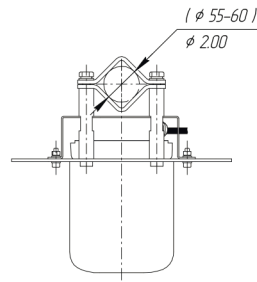
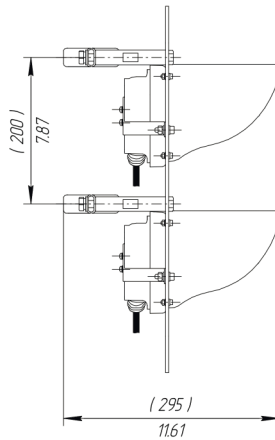
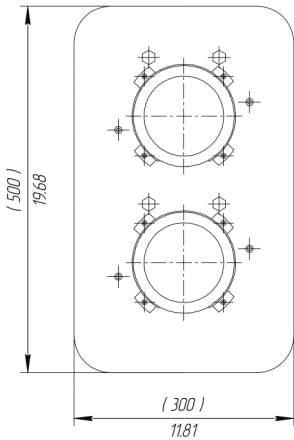
## TRF-IL (TB BRACKET)

FIXTURE WEIGHT:  
6,61 lb (3 kg)



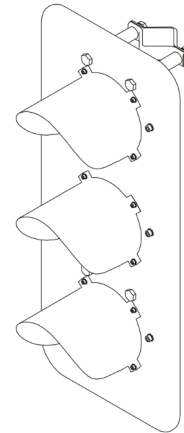
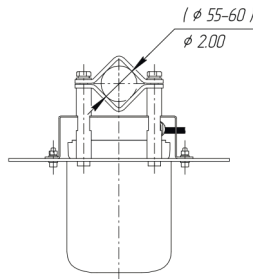
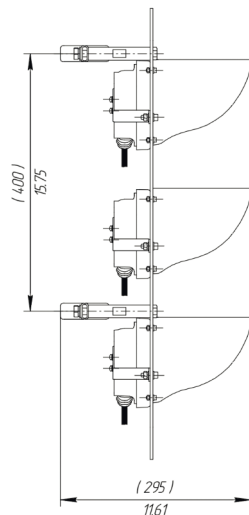
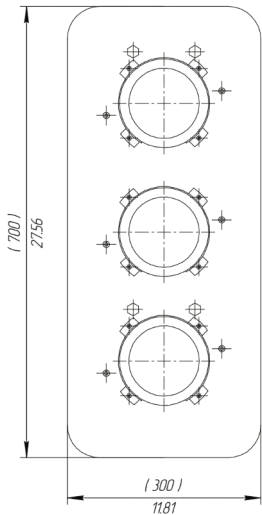
## TRF-IL (TB BRACKET)

FIXTURE WEIGHT:  
11,06 lb (5 kg)



## TRF-IL (TB BRACKET)

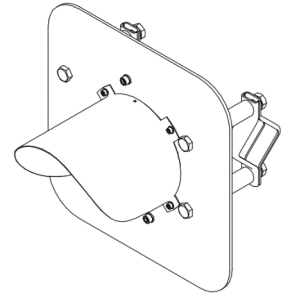
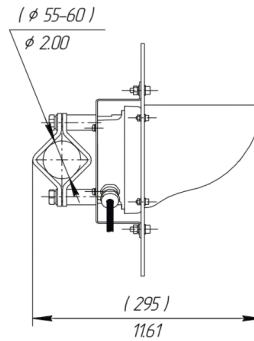
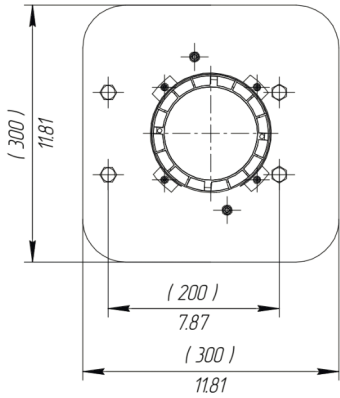
FIXTURE WEIGHT:  
19,92 lb (8,04 kg)





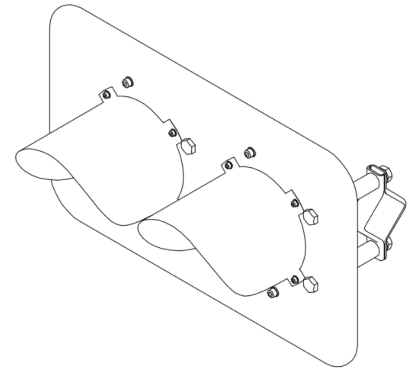
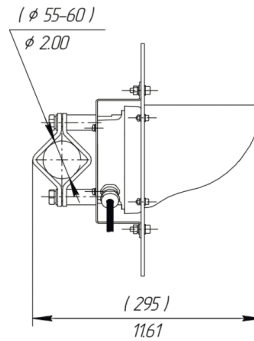
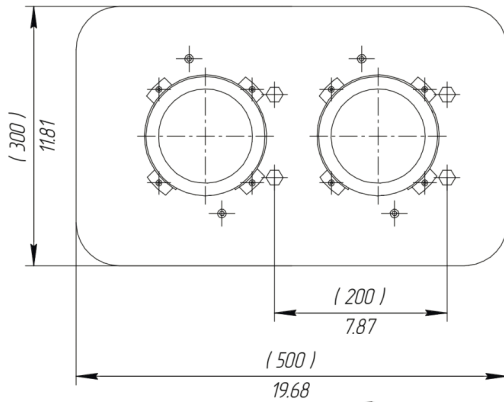
**TRF-IL (TBH BRACKET)**

FIXTURE WEIGHT:  
6,61 lb (3 kg)



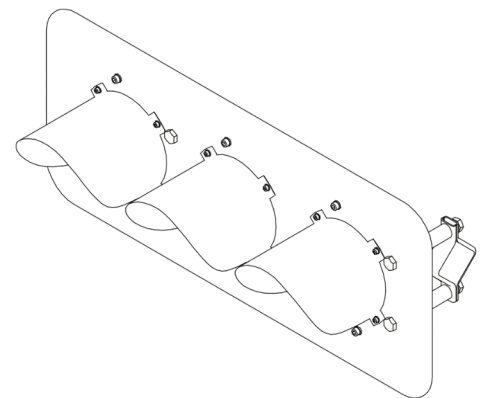
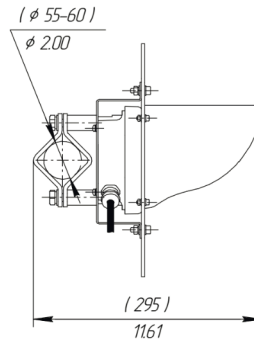
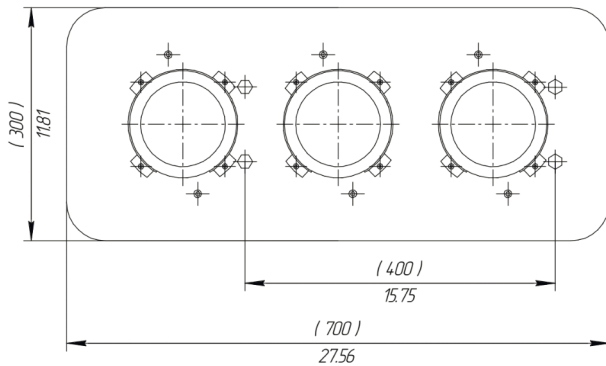
**TRF-IL (TBH BRACKET)**

FIXTURE WEIGHT:  
11,06 lb (5 kg)



**TRF-IL (TBH BRACKET)**

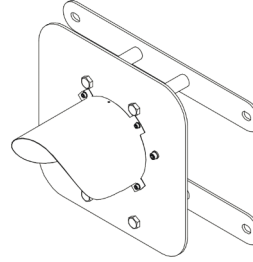
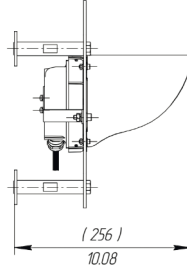
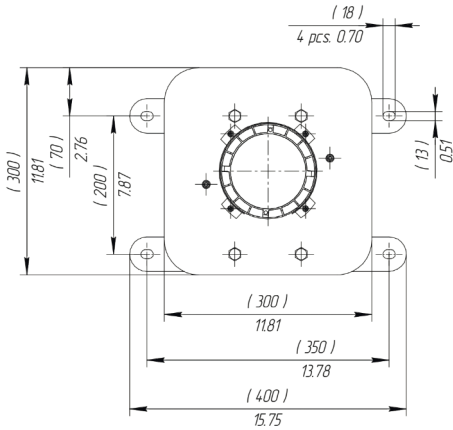
FIXTURE WEIGHT:  
19,92 lb (8,04 kg)





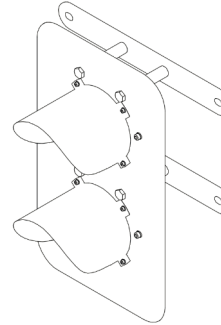
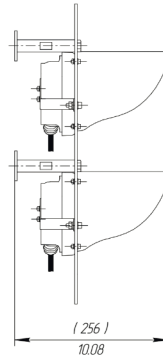
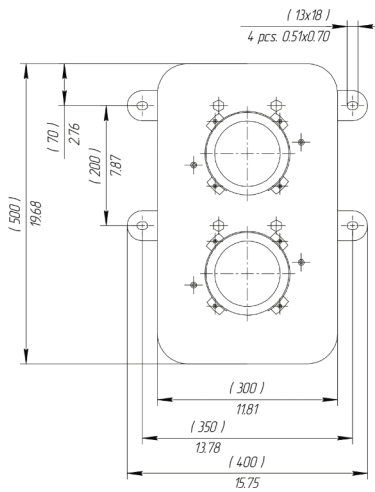
## TRF-IL (UC BRACKET)

FIXTURE WEIGHT:  
8,47 lb (3.84 kg)



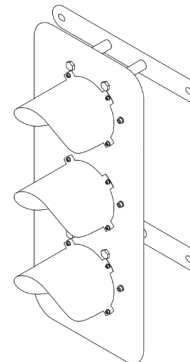
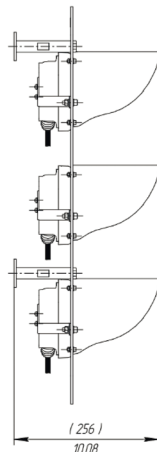
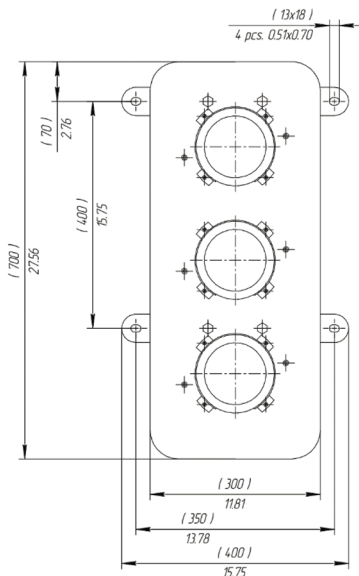
## TRF-IL (UC BRACKET)

FIXTURE WEIGHT:  
12,92 lb (5.84 kg)



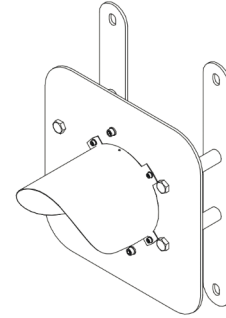
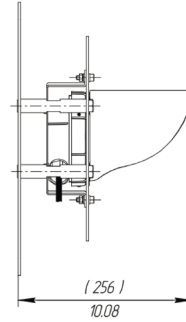
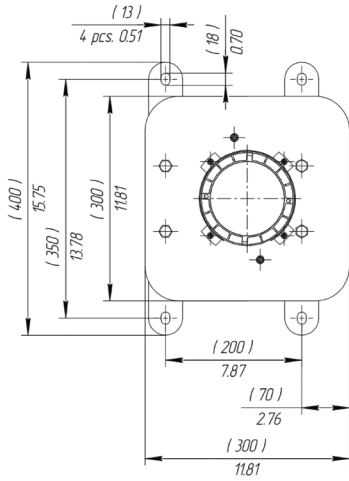
## TRF-IL (UC BRACKET)

FIXTURE WEIGHT:  
19,92 lb (8,04 kg)



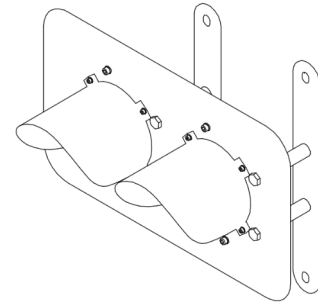
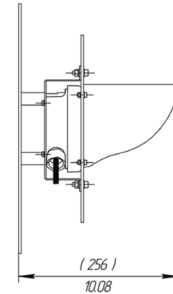
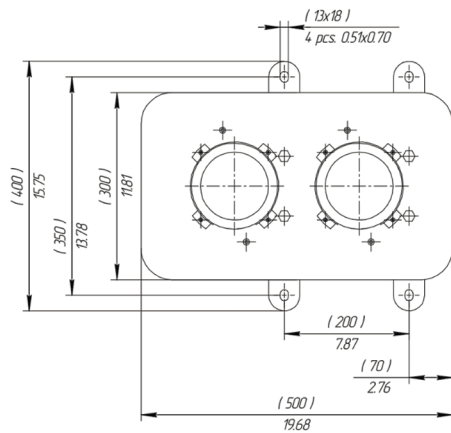
## TRF-IL (UCH BRACKET)

FIXTURE WEIGHT:  
8,47 lb (3.84 kg)



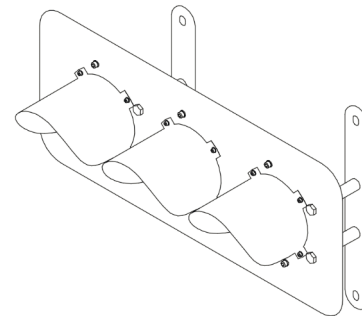
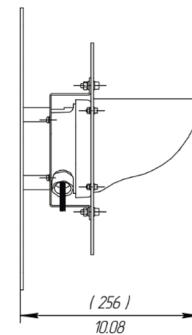
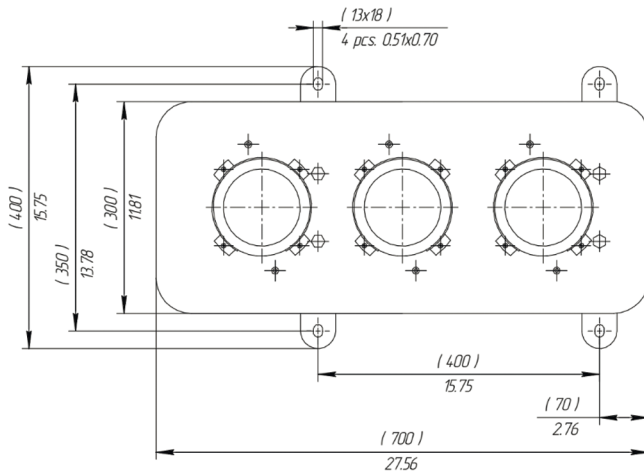
## TRF-IL (UCH BRACKET)

FIXTURE WEIGHT:  
12,92 lb (5.84 kg)



## TRF-IL (UCH BRACKET)

FIXTURE WEIGHT:  
19,92 lb (8,04 kg)





CONTACTS

**(858) 353-1073**

SALES@ARCUSLIGHT.COM

10457 ROSELLE STREET, SUITE #E  
SAN DIEGO, CA 92121