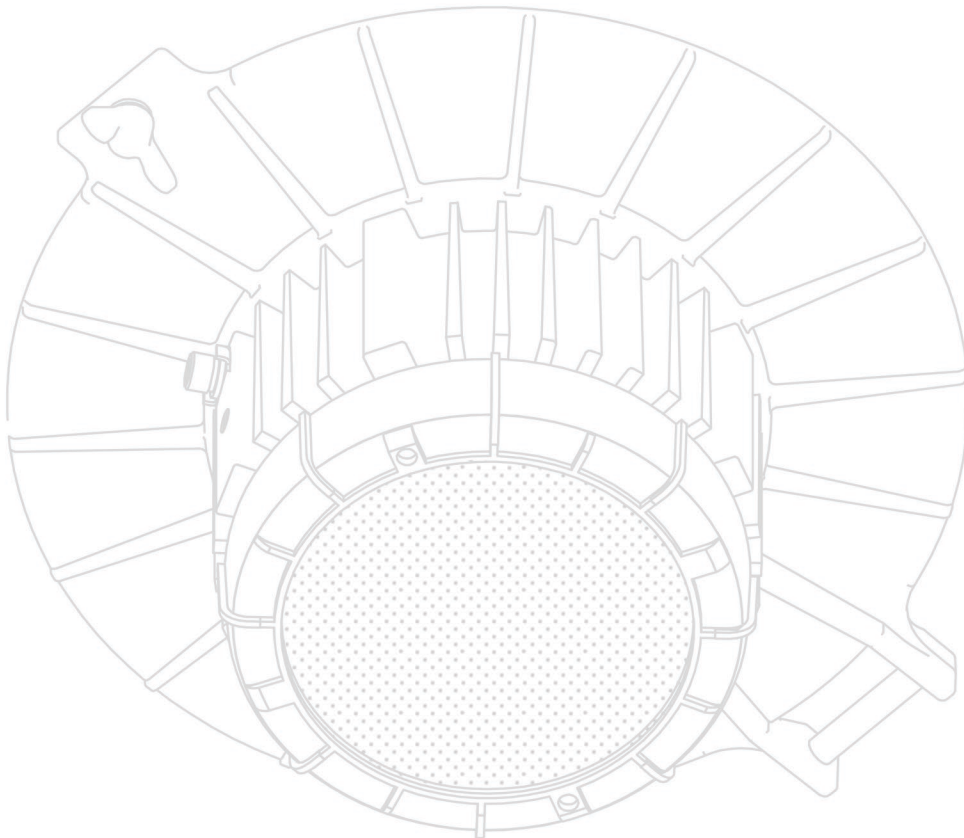
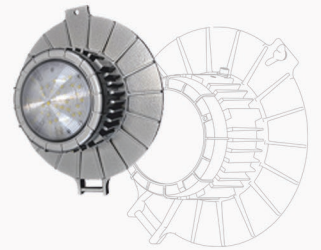


A R C U S

## Ret-HL LED LUMINARIES

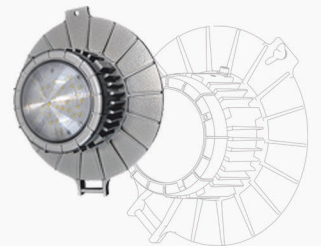


RETRUS™ FOR HL



HL HAZARDOUS LOCATION

RETRUS™ FOR IL



IL INDUSTRIAL LOCATION

## SPECIFICATION

MODEL WATTAGE	20W	36W	60W	80W
LUMEN OUTPUT	2600 LM (GM)* 2300 LM (XPC)*	5200 LM (GM)* 4900 LM (XPC)*	7600 LM (GM)* 7200 LM (XPC)*	9200 LM (GM)* 8500 LM (XPC)*
DIMENSIONS	Various (find out our drawings)			
NET FIXTURE WEIGHT	Various (find out our drawings)			
ENCLOSURE MATERIAL	Copper free aluminum alloy			
FINISH	Polyester powder coat finish			
HARDWARE AND MOUNTING	Marine grade stainless steel parts and screws			
CABLE GLANDS AND CONNECTORS	Classified for CID2 nickel plated brass cable gland			
LENS	Military Grade UL94 V-0 rated Lexan/Tempered clear borosilicate glass			
LIGHT SOURCE	High Power LEDs CREE			
COLOR RENDITION INDEX (CRI)	> 70			
INPUT POWER (+25°C)	20W	36W	55W	80W
FIXTURE EFFICIENCY	130 LPW (GM) 115 LPW (XPC)	140 LPW (GM) 135 LPW (XPC)	135 LPW (GM) 130 LPW (XPC)	115 LPW (GM) 105 LPW (XPC)
LED DRIVER	INVENTRONICS 90-305VAC	CUSTOM MADE 120-277 VAC/230-370VDC	MEANWELL 90-295 VAC/ 127-417VDC	MEANWELL 90-305 VAC/ 127-431VDC
LED DRIVER PROTECTION	SHORT CIRCUIT, OVER LOAD PROTECTION, OVER VOLTAGE	SHORT CIRCUIT, OVER TEMPERATURE, OVER VOLTAGE	SHORT CIRCUIT, OVER TEMPERATURE	OVER TEMPERATURE, OVER CURRENT, OVER VOLTAGE
SURGE PROTECTION	2 kV	1 kV	2 kV	2 kV
POWER FACTOR	> 0.95 (120, 220VAC) / > 0.9 (277VAC)	> 0.95	> 0.95 at 115V	> 0.95
THD (total harmonic distortion)	<20%	<30%	<20%	<20%
INRUSH CURRENT	40A	27A	45A	60A
AMBIENT OPERATING TEMPERATURE	-40°C TO +55°C	-40°C TO +55°C	40°C TO +45°C	40°C TO +40°C
T-RATING FOR (+55°C)	T6	T5, T6 (+50°C)	T6	T5
FIXTURE LIFE (+25°C)	120 000 HOURS	70 000 HOURS	100 000 HOURS	100 000 HOURS
FIXTURE LIFE (+55°C)	25 000 HOURS	40 000 HOURS	50 000 HOURS (+45°C)	50 000 HOURS (+40°C)
FIXTURE LIFE (+65°C)	N/A	N/A	N/A	N/A
WARRANTY	5 YEAR	5YEAR	5 YEAR	5 YEAR

\* - Measurement tolerance +/- 10%

## ETL/cETL CERTIFIED TO:

UL 844 Suitable for Hazardous Locations  
 UL 1598 Suitable for Wet Locations  
 UL 1598A Marine Outside Type (Salt-water)  
 CSA C22.2 No. 250.0  
 CSA C22.2 No. 137  
 IP66 rated per IEC 60598-1 |  
 -40°C to +55°C

## APPROVED FOR:

Class I Division 2 Groups A, B, C, D  
 Class I Zone 2 Group IIC  
 Class II Division 1 and 2 Groups E, F  
 Class II Zone 20, 21, or 22 Group IIB  
 Class III  
 1Ex d IIC T5 | -40°C to +55°C

## ARCUS Ret-HL LED BENEFITS:

- Instant on/no warm up
- Extreme compact size and weight
- Energy-efficient/up to 65% savings when compared to traditional HID lighting
- Up to 23 years (at 12hrs a day) of light, eliminating bulb and ballast replacement maintenance
- Operating ambient -40°C to +55°C
- 5 year warranty
- High CRI for improved visibility and clarity
- Damn near bullet proof

## APPLICATION

- Upgrade Existing Tophat Fixtures to LED
- CID2 Hazardous Locations
- Locations requiring continuous and consistent light levels in extreme heat or cold.
- Hazardous Storage
- Marine, Engine and Battery Rooms
- Energy, Gas & Oil
- Manufacturing
- Wastewater

**ORDERING INFORMATION:** PART NUMBER EXAMPLE Ret-HL-RFC-XPC-RV-120-5K-20W-S

1 Ret 2 HL 3 RFC 4 XPC 5 RV 6 120 7 5K 8 20W 9 S

**DETAILED INFORMATION****2 FAMILY NAME  
ENCLOSURE TYPE**

**HL** Class I/II Division 2 rated body  
**HLL** Class I/II Division 2 rated larger body

**6 SECONDARY OPTICS**

**120°** Full Flood (No Optics - Standard)  
**60°** Wide  
**40°** Medium Spot\*\*\*  
**25°** Tight Spot\*\*\*  
**17°** Narrow Beam\*\*\*

**3 MOUNTING**

**RFC** Crouse-hinds Champ® adapter plate  
**RFK** Killark Certilite V® adapter plate  
**RFH** Holophane Petrolux®II adapter plate  
**RFA2** Mercmaster®II adapter plate  
**RFA2** Mercmaster®III adapter plate  
**RFGE** General electric H2 Filtr-guard®

**7 COLOR TEMPERATURE**

**3K** 3000K  
**4K** 4000K  
**5K** 5000K

**4 REFLECTOR (LENS)**

**GM** Borosilicate glass and mesh guard  
**XPC** Extreme polycarbonate lens

**8 WATTAGE**

**20W**  
**36W**  
**60W**  
**80W**

**5 VOLTAGE**

**RV** 120-277 VAC, 50/60 Hz  
**HV\*\*** 347-480 VAC, 50/60 Hz

**9 BODY COLOR**

**S** Silver (Standart)  
**B** Bronze

\*\*\* - secondary optics comes only with glass reflector (lens)

**PROJECT INFORMATION**

PROJECT NAME:

LOCATION:

DESCRIPTION:

**CONTACT INFORMATION:**

NAME:

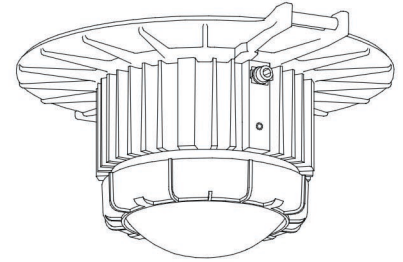
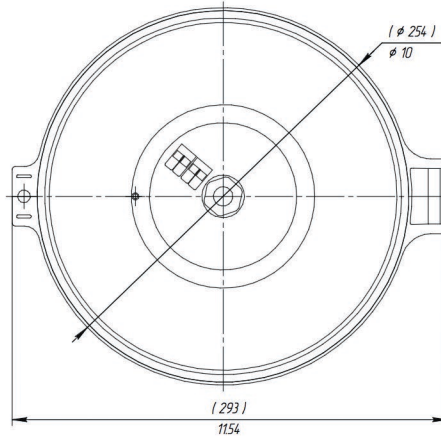
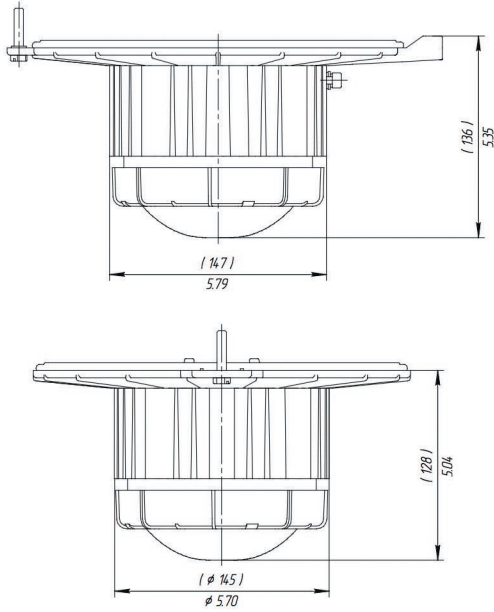
E-MAIL:

PHONE:

DATE:

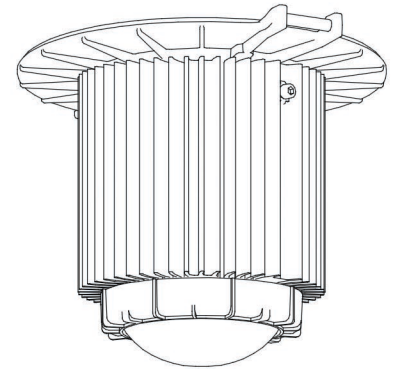
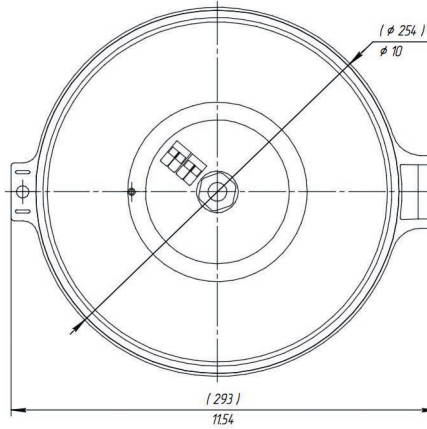
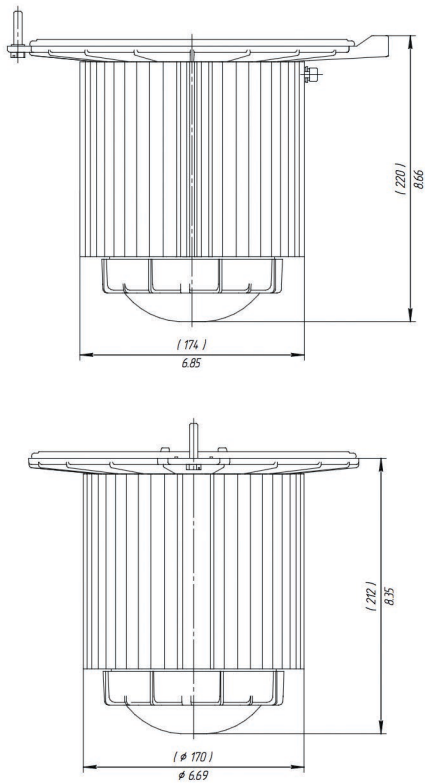
## RET-HL-RFC (20-60W)

FIXTURE WEIGHT:  
9,9 lb (4,5 kg)



## RET-HLL-RFC (80W)

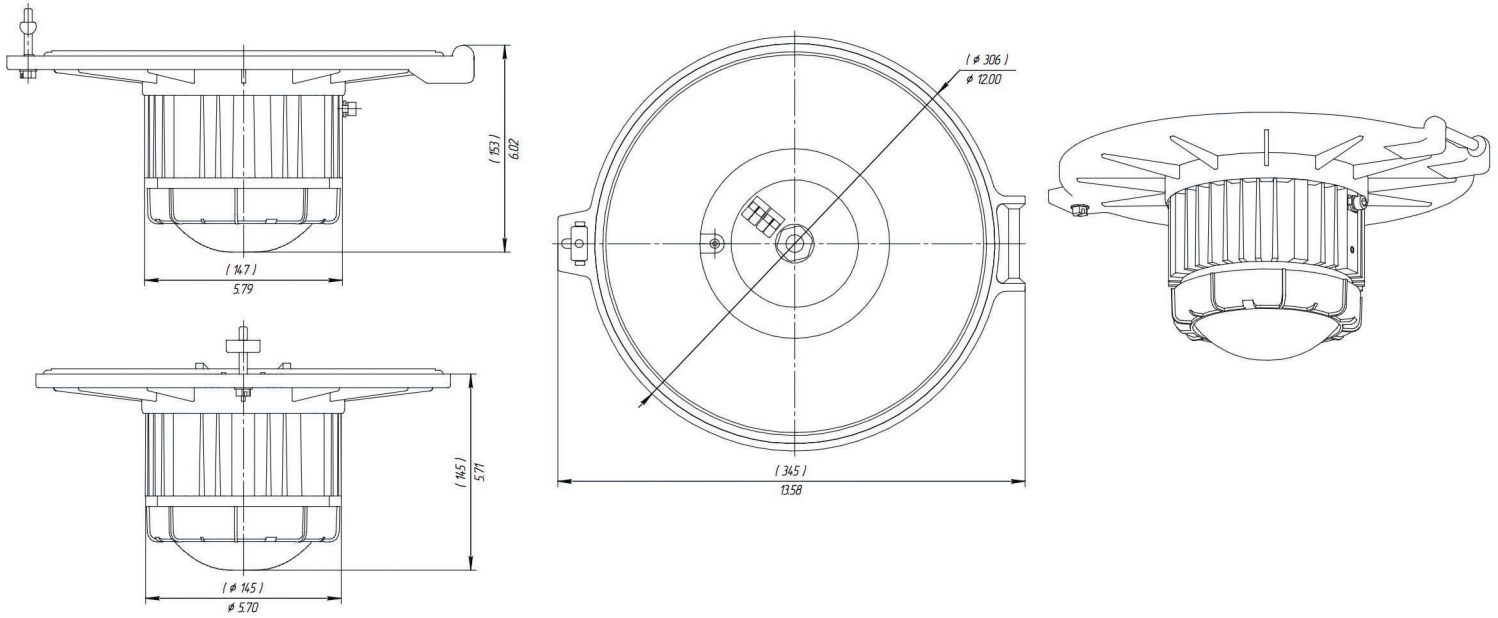
FIXTURE WEIGHT:  
13,2 lb (6 kg)





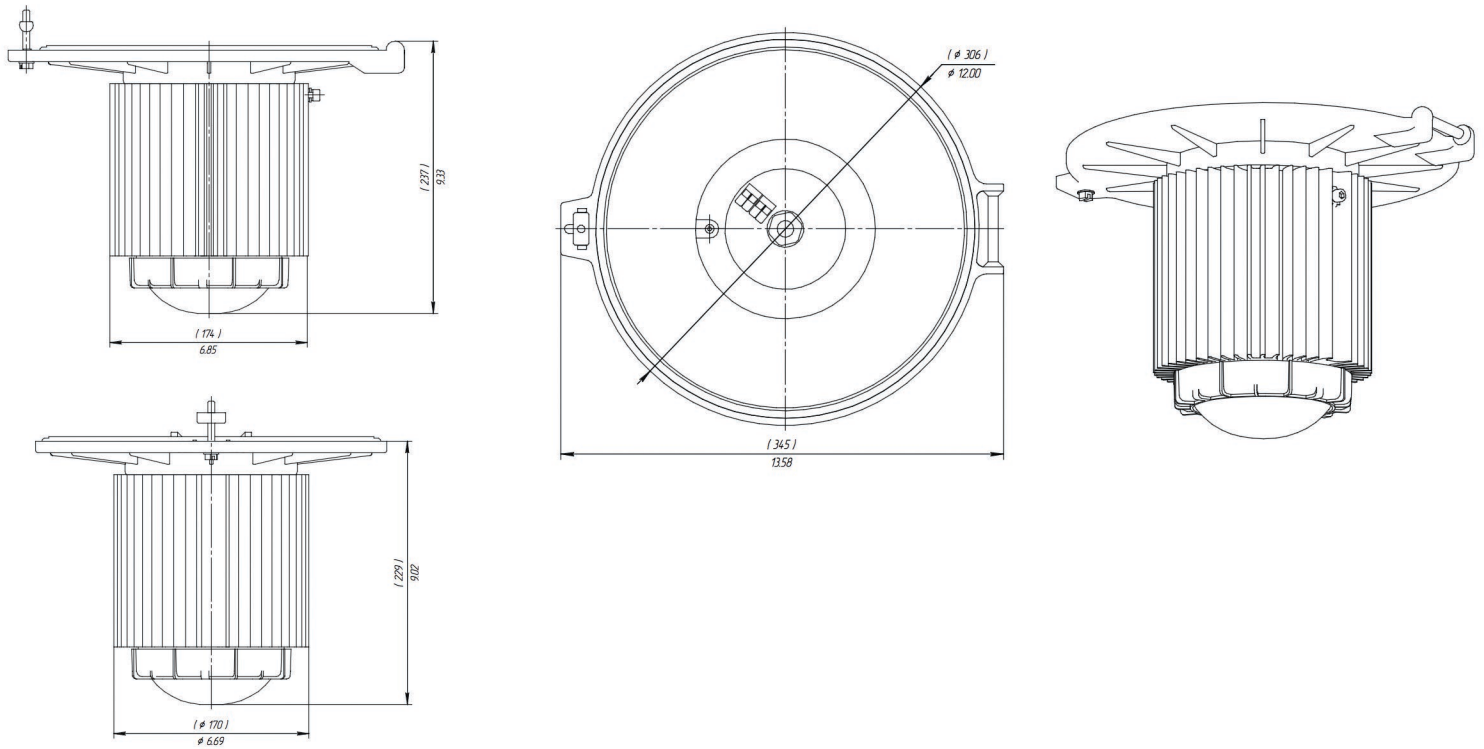
## RET-HL-RFK (20-60W)

FIXTURE WEIGHT:  
11 lb (5 kg)



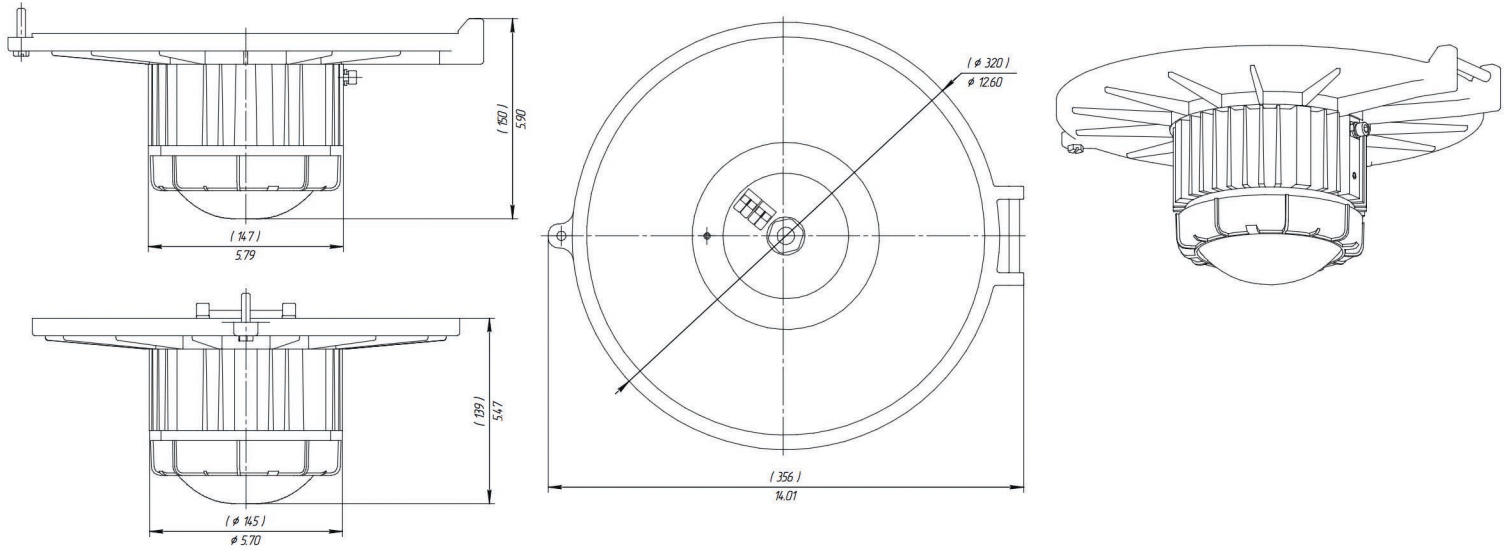
## RET-HLL-RFK (80W)

FIXTURE WEIGHT:  
14,3 lb (6,5 kg)



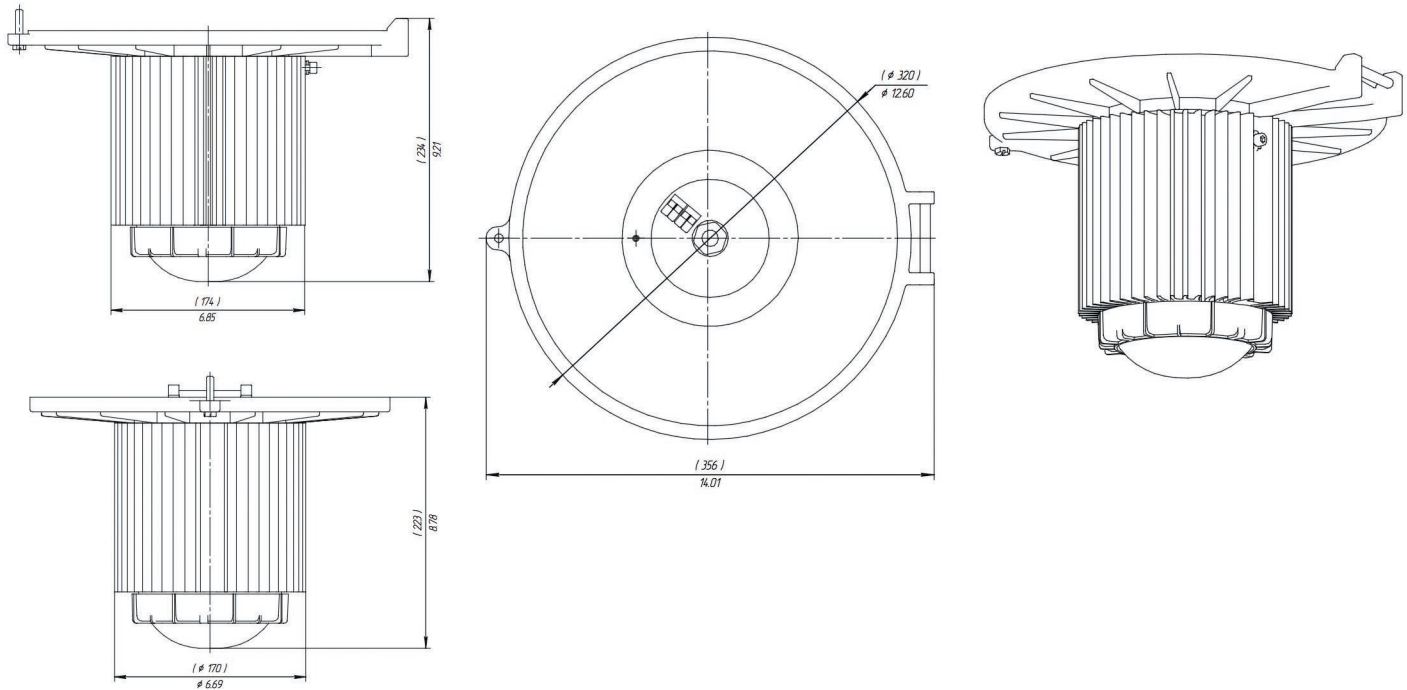
## RET-HL-RFH (20-60W)

FIXTURE WEIGHT:  
11,2 lb (5,1 kg)



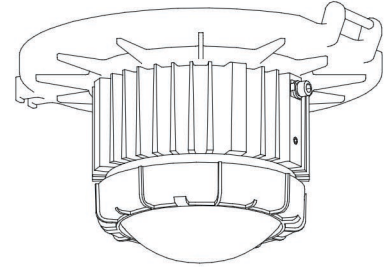
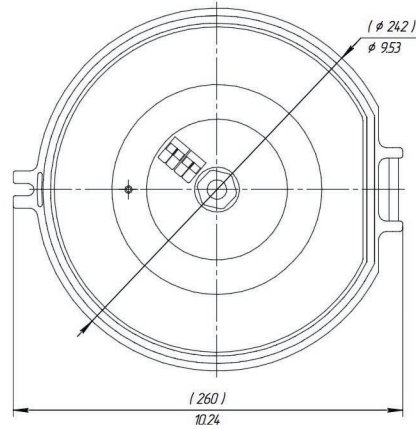
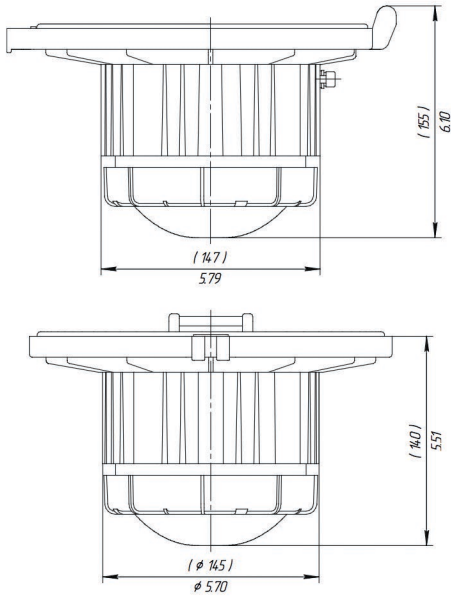
## RET-HLL-RFH (80W)

FIXTURE WEIGHT:  
14,6 lb (6,6 kg)



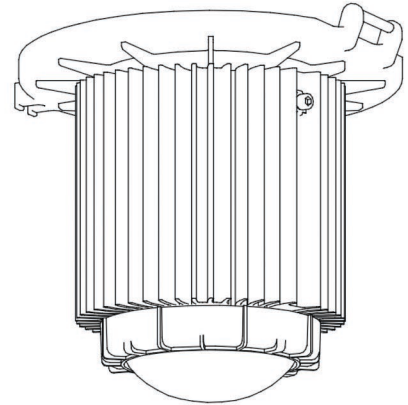
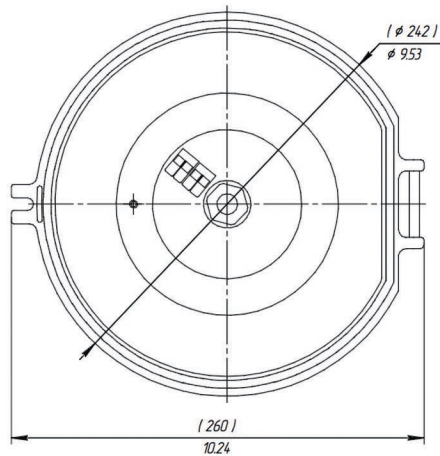
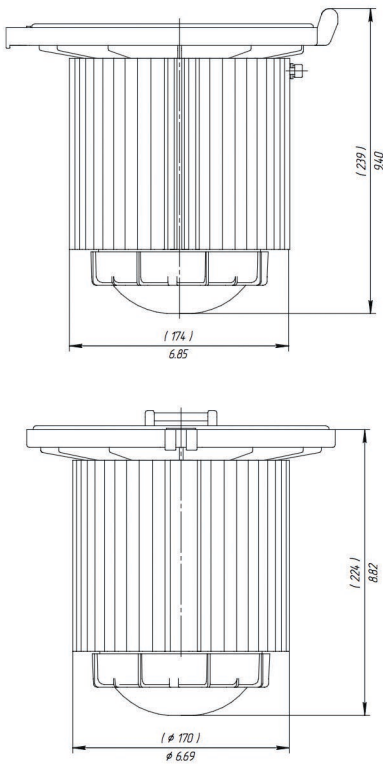
## RET-HL-RFA2 (20-60W)

FIXTURE WEIGHT:  
7,5 lb (3,4 kg)



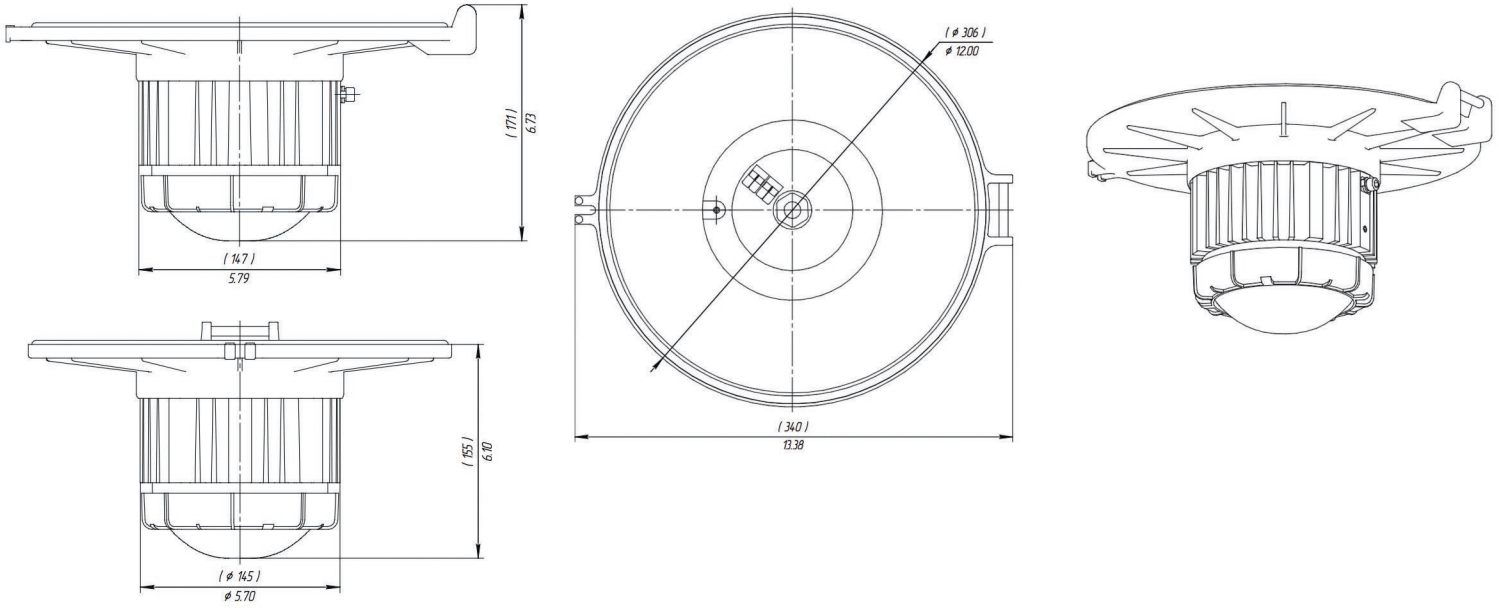
## RET-HLL-RFA2 (20-60W)

FIXTURE WEIGHT:  
10,8 lb (4,9 kg)



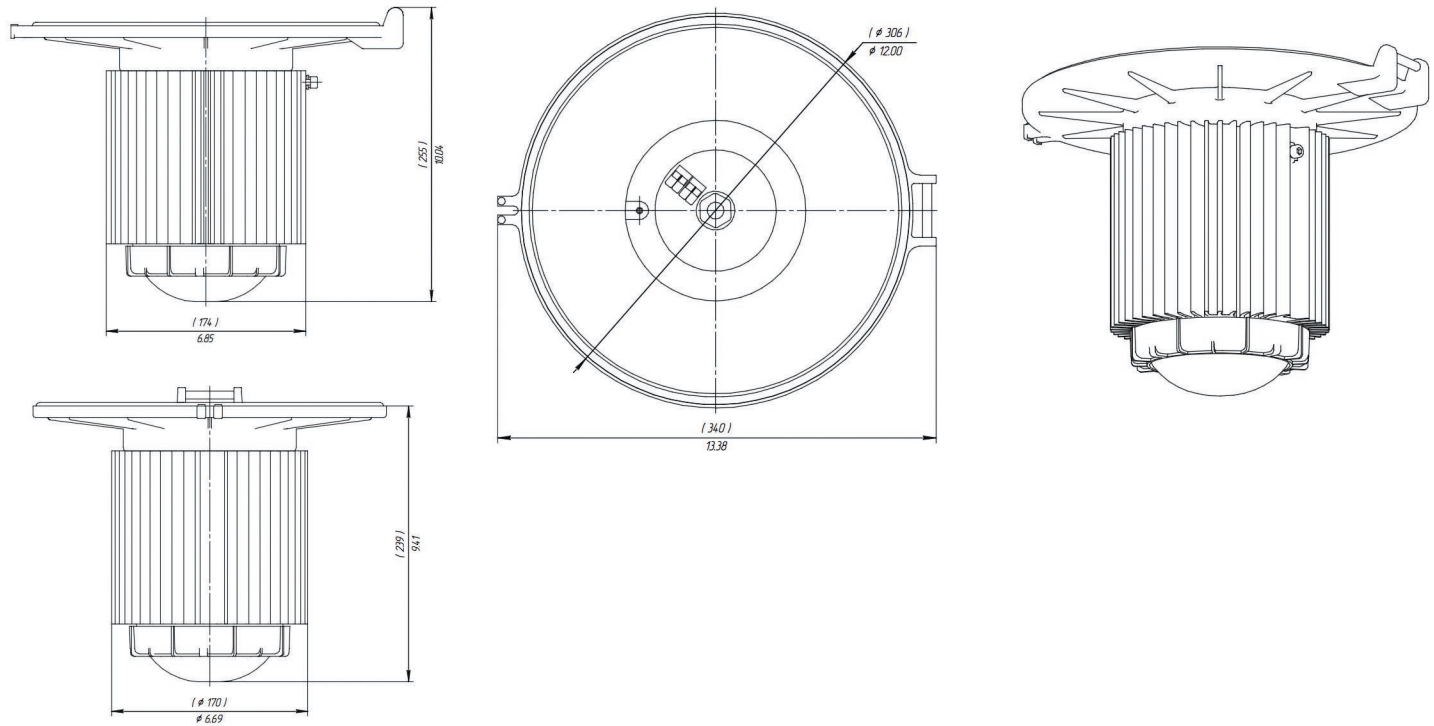
## RET-HL-RFA3 (20-60W)

FIXTURE WEIGHT:  
10,8 lb (4,9 kg)



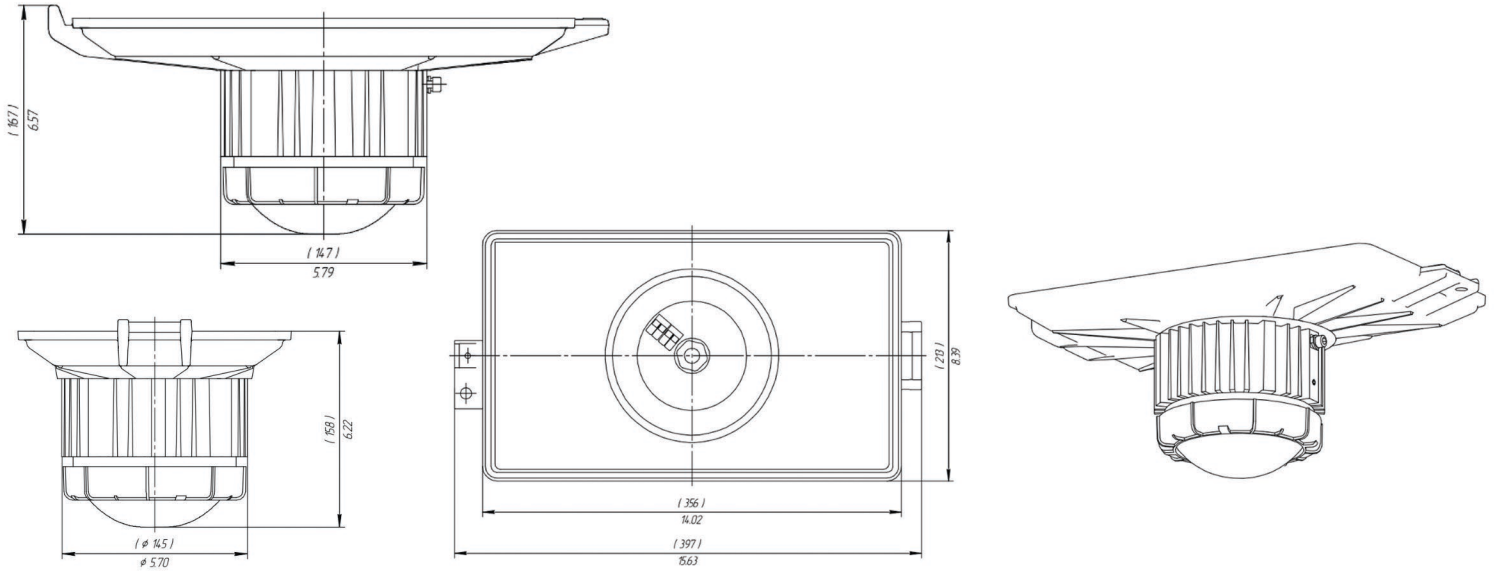
## RET-HLL-RFA3 (80W)

FIXTURE WEIGHT:  
14,1 lb (6,4 kg)

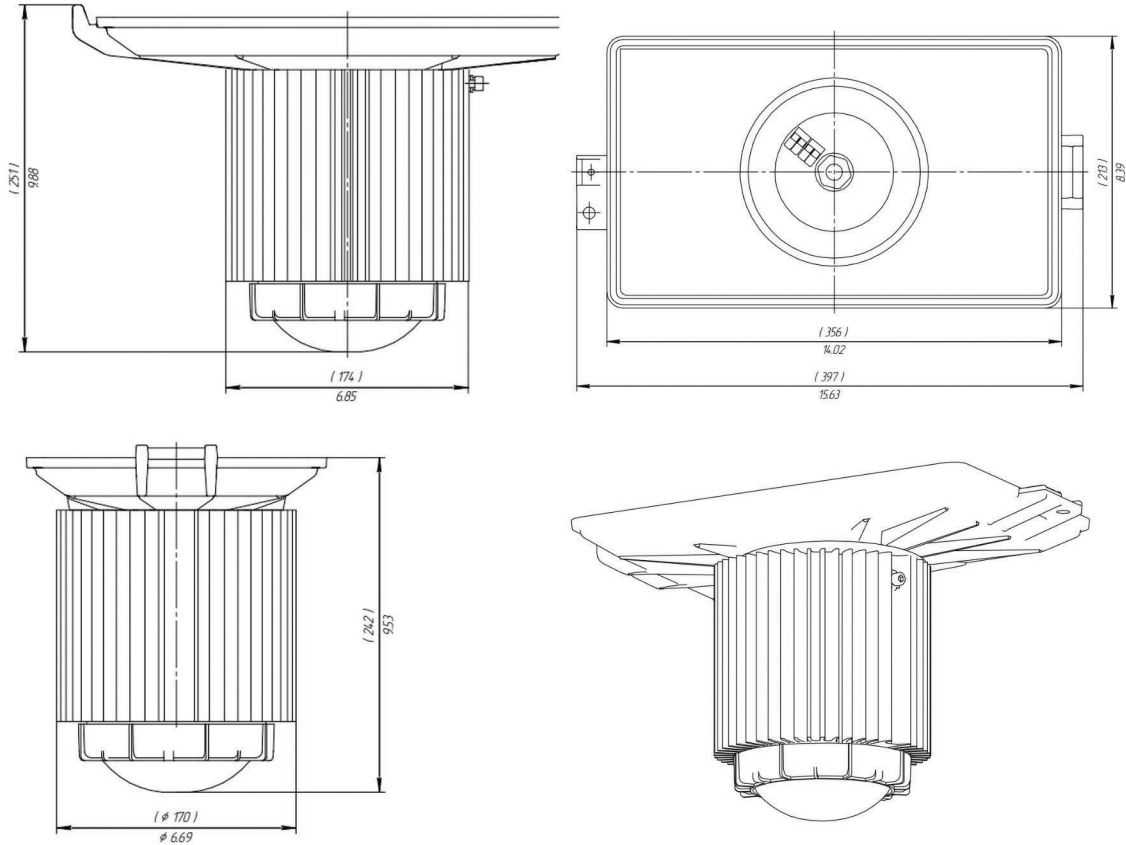




## RET-HL-RFGE (20-60W)



## RET-HLL-RFGE (80W)



 CONTACTS

**(858) 353-1073**

SALES@ARCUSLIGHT.COM

2801 CAMINO DEL RIO SOUTH  
SAN DIEGO, CA 92108