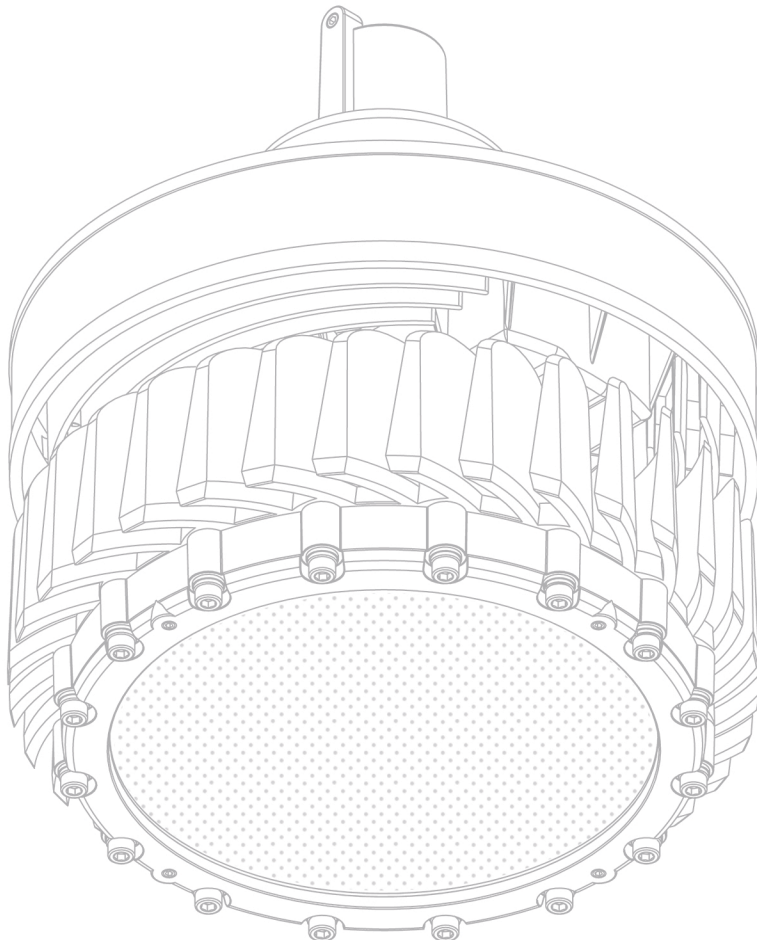
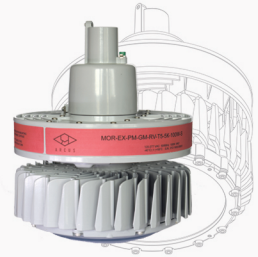


A R C U S

MOR-EX LED LUMINAIRES



MORION™ FOR EX



EXPLOSION PROOF 

MORION™ FOR HL



HAZARDOUS LOCATION 

MORION™ FOR IL



INDUSTRIAL LOCATION 

SPECIFICATION

MODEL WATTAGE	80 W	100 W	120 W	160 W	180 W
LUMEN OUTPUT	10900 LM (GB)*	13300 LM (GB)*	18000 LM (GB)*	21500 LM (GB)*	24000 LM (GB)*
DIMENSIONS	VARIOUS (SEE DRAWINGS)				
NET FIXTURE WEIGHT (with PM mount)	25.0 LB / 11.35 KG	25.0 LB / 11.35 KG	25.79 LB / 11,7 KG	25.79 LB / 11,7 KG	25.79 LB / 11,7 KG
ENCLOSURE MATERIAL	Copper free aluminum alloy				
FINISH	Polyester powder coat finish				
HARDWARE AND MOUNTING	Marine grade stainless steel parts and screws				
CABLE GLANDS AND CONNECTORS	With 3.3 feet of cable (optional)				
LENS	Flat tempered clear glass 19 mm and mesh guard (optional)				
LIGHT SOURCE	OSRAM LEDs				
COLOR RENDITION INDEX (CRI)	> 70				
INPUT POWER (+25°C)	79 W (RV, HV)*	100 W (RV, HV)*	119 W (RV)*	147 W (RV)*	148 W (RV)*
FIXTURE EFFICIENCY	138 LPW (RV,HV)*	133 LPW (RV,HV)*	151 LPW*	146 LPW*	162 LPW*
LED DRIVER	PHILIPS 120-277 VAC/ PHILIPS 347-480 VAC**	PHILIPS 120-277 VAC/ PHILIPS 347-480 VAC**	INVENTRONICS 90-305VAC**	INVENTRONICS 90-305VAC**	INVENTRONICS 90-305VAC**
LED DRIVER PROTECTION	SHORT CIRCUIT, OPEN CIRCUIT PROTECTION FOR LED +/-	SHORT CIRCUIT, OPEN CIRCUIT PROTECTION FOR LED +/-	SHORT CIRCUIT, OUTPUT OVER VOLTAGE, OVER TEMPERATURE		
SURGE PROTECTION	6 KV	6 KV	≥6 KV	≥6 KV	≥6 KV
POWER FACTOR	> 0.95	> 0.95	> 0.96	> 0.96	> 0.96
THD (total harmonic distortion)	< 10%	< 10%	< 20%	< 20%	< 20%
INRUSH CURRENT	74 A (RV) / 65 A (HV)	74 A (RV) / 65 A (HV)	147 A	147 A	147 A
AMBIENT OPERATING TEMPERATURE	-40 °C TO +65 °C	-40 °C TO +65 °C	-40 °C TO +65 °C	-40 °C TO +65 °C	-40 °C TO +65 °C
T-RAITING FOR (+55°C)	T6	T6	T6	T5	T5
T-RAITING FOR (+65°C)	T6	T5	T5	T5	T5
FIXTURE LIFE (+25°C)	100 000 HOURS	100 000 HOURS	100 000 HOURS	100 000 HOURS	100 000 HOURS
FIXTURE LIFE (+45°C)	100 000 HOURS	100 000 HOURS	100 000 HOURS	90 000 HOURS	90 000 HOURS
FIXTURE LIFE (+55°C)	100 000 HOURS	100 000 HOURS	60 000 HOURS	50 000 HOURS	50 000 HOURS
FIXTURE LIFE (+65°C)	70 000 HOURS	50 000 HOURS	25 000 HOURS	20 000 HOURS	20 000 HOURS
WARRANTY (+55°C)	5 YEAR				

* - Measurement tolerance +/- 10%

** - with 0-10 VDC dimming

ETL/cETL CERTIFIED TO:

UL 844 for Use in Hazardous (Classified) Locations
 UL 1598 Suitable for Wet Locations
 UL 1598A Marine Outside Type (Saltwater)
 CSA C22.2 No. 250.0
 CSA C22.2 No. 137
 IP67 rated per IEC 60598-1
 -40°C to +65°C

APPROVED FOR:

Class I Division 1 Groups C, D
 Class I Division 2 Groups A, B, C, D
 Class I Zone 2 Group IIB
 Class II Division 1 and 2 Groups E, F, G
 Class II Zone 20, 21, or 22 Group IIB
 Class III
 1Ex d IIC T5/T6 | -40°C to +65°C

ARCUS MOR-EX LED BENEFITS:

- Instant on/no warm up
- Extreme compact size and weight
- Energy-efficient/up to 65% savings when compared to traditional HID lighting
- Up to 23 years (at 12hrs a day) of light, eliminating bulb and ballast replacement maintenance
- Operating ambient -40°C to +65°C
- 5 year warranty
- High CRI for improved visibility and clarity

APPLICATION

- Mid-Bay and High-Bay Lighting
- Explosion Proof
- Locations requiring continuous and consistent light levels in extreme heat or cold.
- Hazardous Storage
- Marine, Engine rooms
- Energy, Gas & Oil
- Manufacturing
- Wastewater



ORDERING INFORMATION: PART NUMBER EXAMPLE MOR-EX-PM-GB-RV-T5-5K-100W-C-S



DETAILED INFORMATION

2 FAMILY NAME ENCLOSURE TYPE

EX Explosion Proof Rated Body

3 MOUNTING SOLUTIONS

- PM** Pendant Mount
- SA** Stanchion Mount 25°
- SS** Stanchion Mount 90°
- WA** Wall Mount 25°
- WM** Wall Mount 90°
- CM** Ceiling Mount
- SB** Swivel Bracket
- EM** Eye-Bolt Mount

4 REFLECTOR (LENS)

- GB** Flat tempered clear glass 19 mm
- GBM** Flat tempered clear glass 19 mm and mesh guard

5 VOLTAGE

RV 120-277 VAC, 50/60 Hz
HV*** 347-480 VAC, 50/60 Hz

6 SECONDARY OPTICS

- T5** Full Flood (No Optics - Standard)
- T3** Street, Aisle Type
- T1** Long and rectangular for hallways

7 COLOR TEMPERATURE

- 3K** 3000 K
- 4K** 4000 K
- 5K** 5000 K

8 WATTAGE

- 80 W**
- 100 W**
- 120 W**
- 160 W**
- 180 W**

9 CABLE

- without cable
- C** with 3.3 feet of cable

10 BODY COLOR

S Silver (Standard)

*** - only available for 80W, 100W

PROJECT INFORMATION

PROJECT NAME:

LOCATION:

DESCRIPTION:

CONTACT INFORMATION:

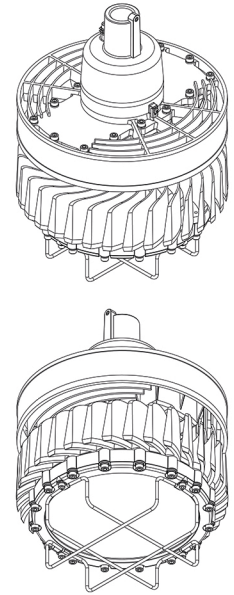
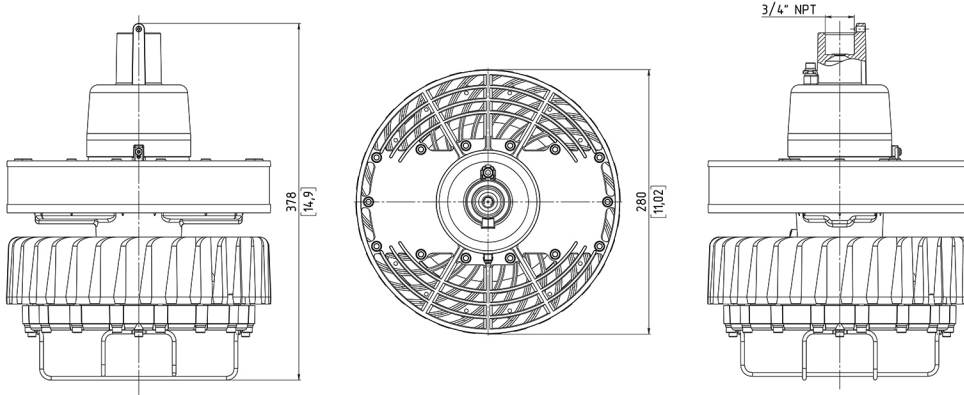
NAME: E-MAIL:

PHONE: DATE:

MOR-EX-PM-80-100W/120-180W

FIXTURE WEIGHT:
25,02 lb (11,35 kg) / 25,79 lb (11,7 kg)

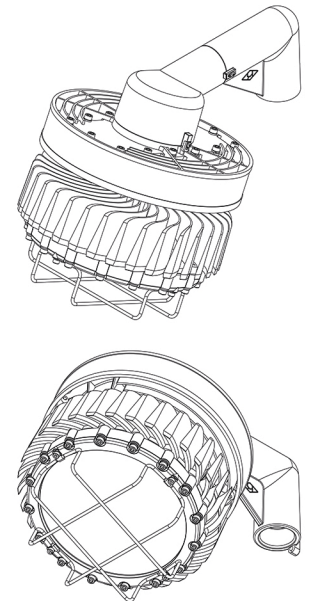
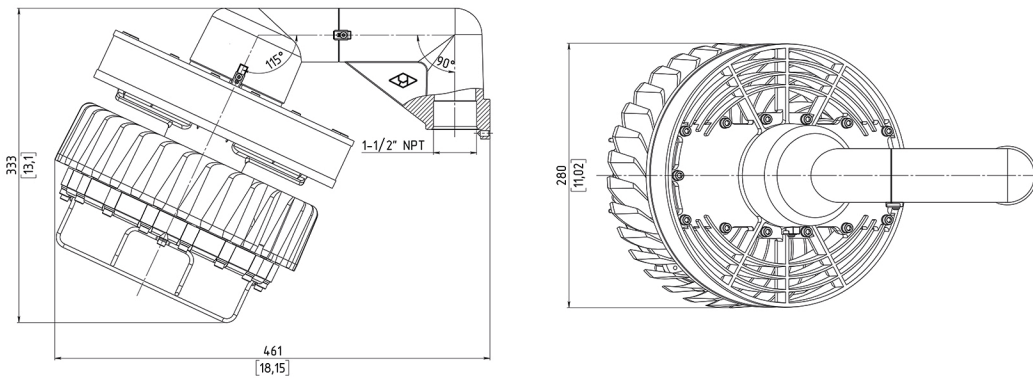
PENDANT MOUNT



MOR-EX-SA-80-100W/120-180W

FIXTURE WEIGHT:
26,59 lb (12,06 kg) / 27,36 lb (12,41 kg)

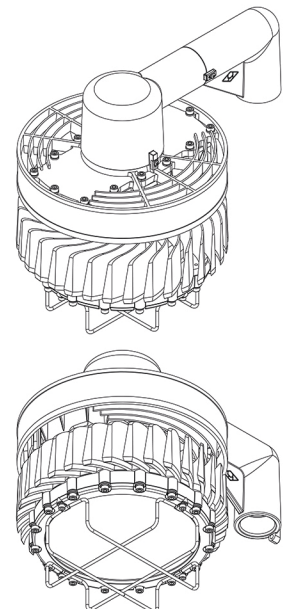
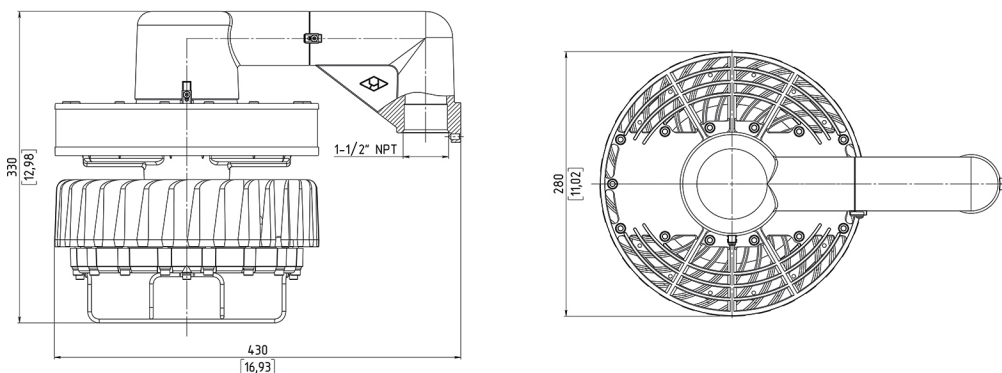
STANCHION MOUNT 25°



MOR-EX-SS-80-100W/120-180W

FIXTURE WEIGHT:
27,09 lb (12,29 kg) / 27,87 lb (12,64 kg)

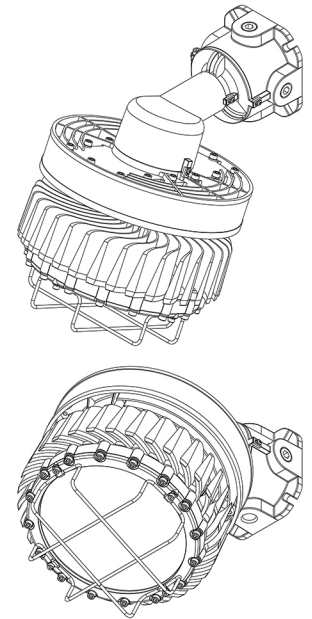
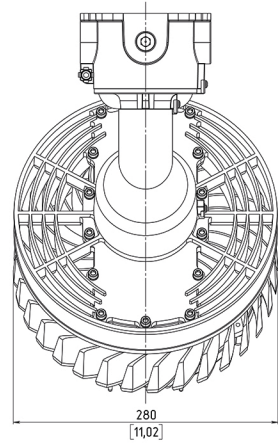
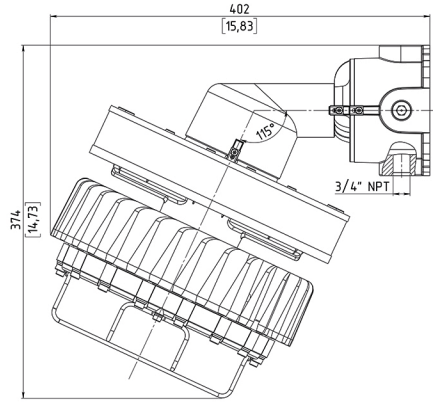
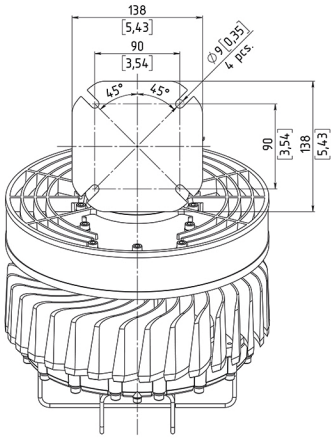
STANCHION MOUNT 90°



MOR-EX-WA-80-100W/120-180W

FIXTURE WEIGHT:
28,04 lb (12,72 kg) / 28,81 lb (13,07 kg)

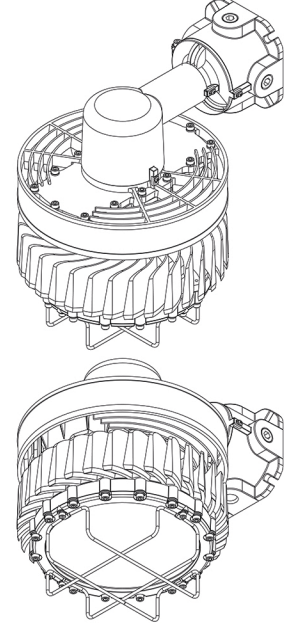
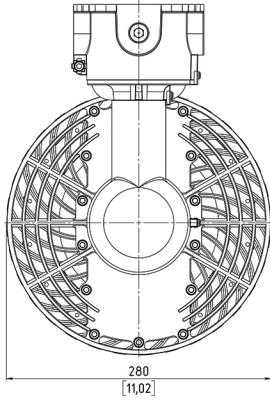
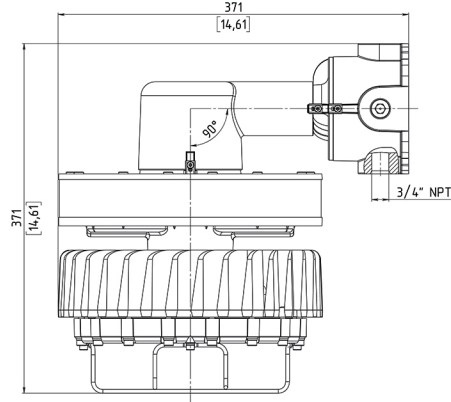
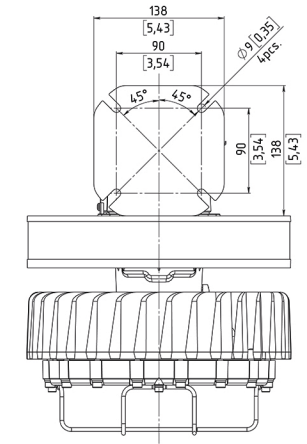
WALL MOUNT 25°



MOR-EX-WM-80-100W/120-180W

FIXTURE WEIGHT:
28,55 lb (12,95 kg) / 29,32 lb (13,3 kg)

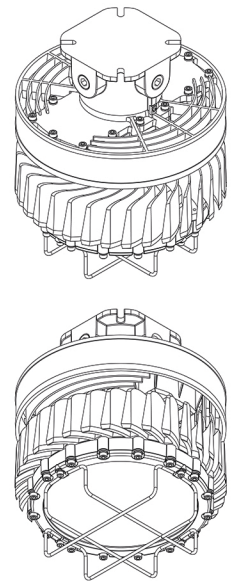
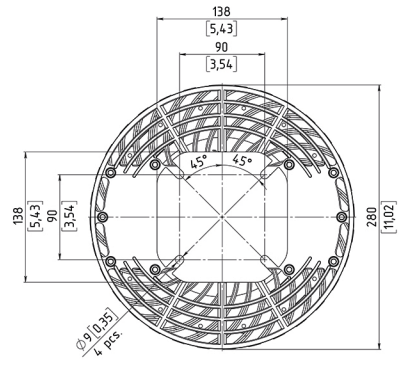
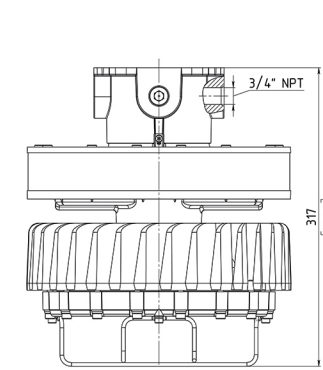
WALL MOUNT 90°



MOR-EX-CM-80-100W/120-180W

FIXTURE WEIGHT:
26,06 lb (11,82 kg) / 26,83 lb (12,17 kg)

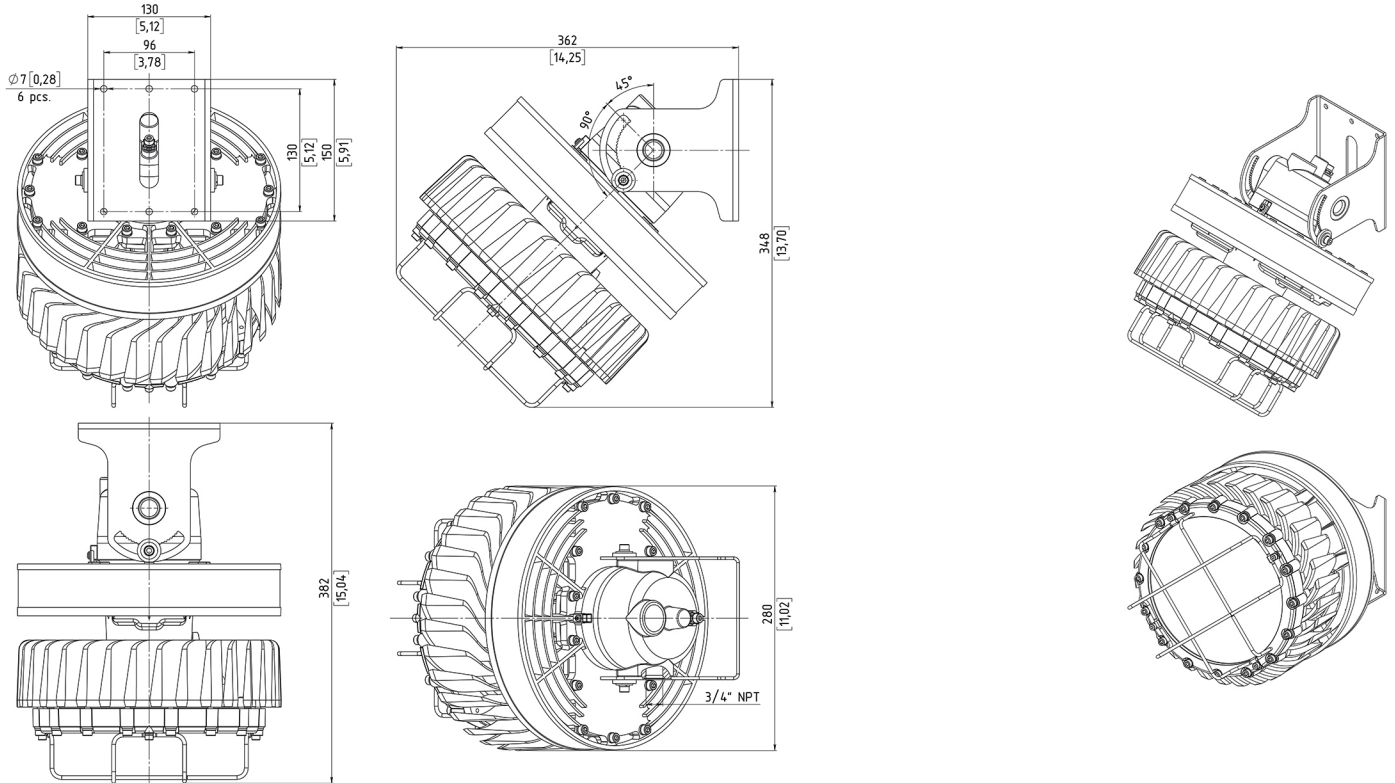
CEILING MOUNT



MOR-EX-SB-80-100W/120-180W

FIXTURE WEIGHT:
27,23 lb (12,35 kg) / 28,00 lb (12,7 kg)

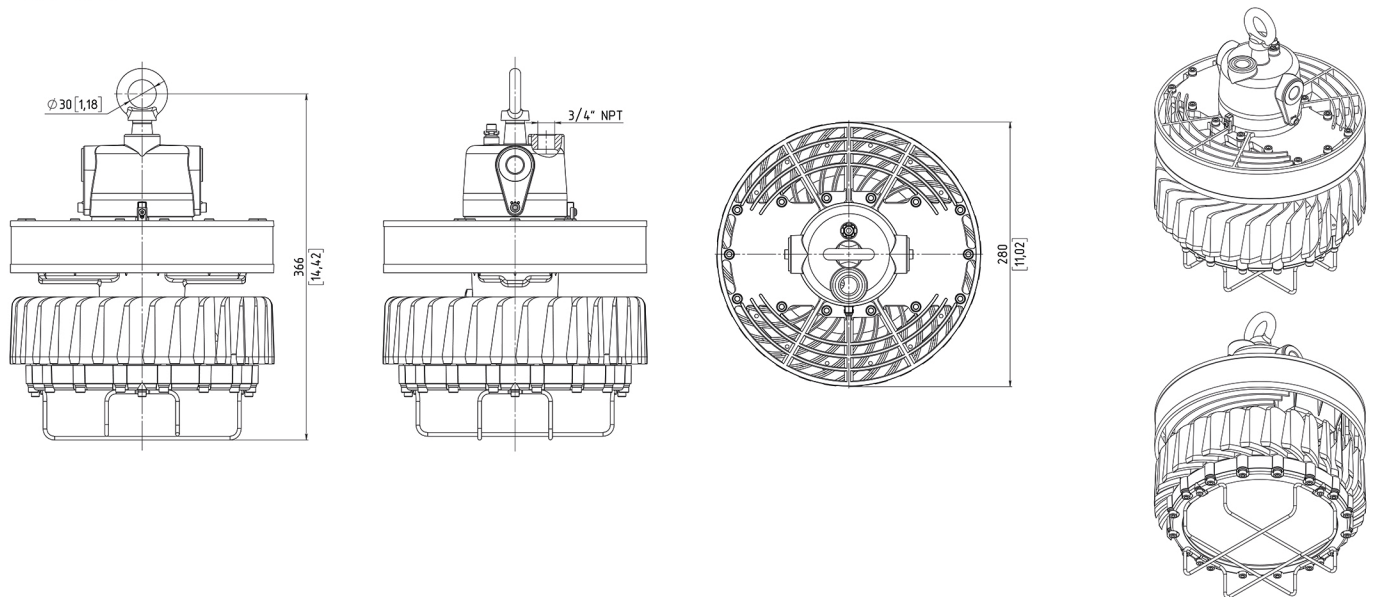
SWIVEL BRACKET



MOR-EX-EM-80-100W/120-180W

FIXTURE WEIGHT:
25,13 lb (11,4 kg) / 25,9 lb (11,75 kg)

EYE-BOLT MOUNT



 CONTACTS

(858) 353-1073

SALES@ARCUSLIGHT.COM

10457 ROSELLE STREET, SUITE #E
SAN DIEGO, CA 92121