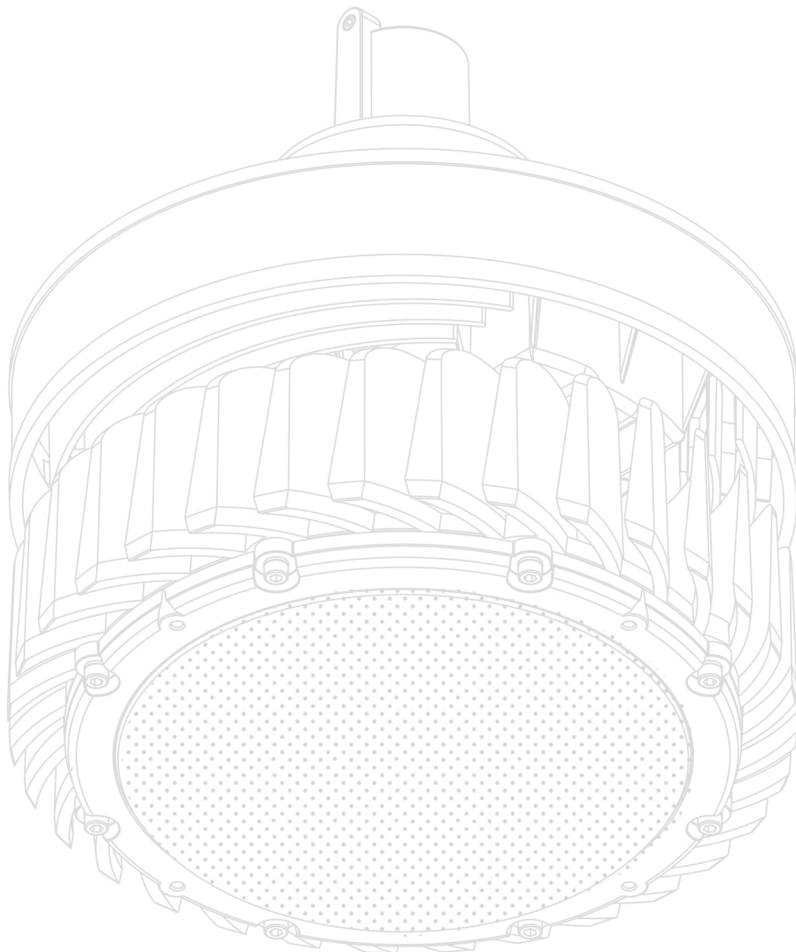


A R C U S

MOR-HL LED LUMINAIRES



MORION™ FOR EX



EXPLOSION PROOF 

MORION™ FOR HL



HAZARDOUS LOCATION 

MORION™ FOR IL



INDUSTRIAL LOCATION 

SPECIFICATION

MODEL WATTAGE	80 W	100 W	120 W	160 W	180 W
LUMEN OUTPUT	11400 LM (GT)* 10700 LM (CPC)*	14100 LM (GT)* 13000 LM (CPC)*	19000 LM (GT)* 17600 LM (CPC)*	22500 LM (GT)* 21100 LM (CPC)*	25500 LM (GT)* 23500 LM (CPC)*
DIMENSIONS	VARIOUS (SEE DRAWINGS)				
NET FIXTURE WEIGHT (with PM mount)	21.07 LB / 9.56 KG (GTM) 20.7 LB / 9.39 KG (CPC)	21.07 LB / 9.56 KG (GTM) 20.7 LB / 9.39 KG (CPC)	21.85 LB / 9.91 KG (GTM) 21.47 LB / 9.74 KG (CPC)	21.85 LB / 9.91 KG (GTM) 21.47 LB / 9.74 KG (CPC)	21.85 LB / 9.91 KG (GTM) 21.47 LB / 9.74 KG (CPC)
ENCLOSURE MATERIAL	Copper free aluminum alloy				
FINISH	Polyester powder coat finish				
HARDWARE AND MOUNTING	Marine grade stainless steel parts and screws				
CABLE GLANDS AND CONNECTORS	Not included				
LENS	Military Grade UL94 V-0 rated Lexan/Tempered clear glass 5 mm				
LIGHT SOURCE	OSRAM LEDs				
COLOR RENDITION INDEX (CRI)	> 70				
INPUT POWER (+25°C)	79 W (RV, HV)*	100 W (RV, HV)*	119 W (RV)*	147 W (RV)*	148 W (RV)*
FIXTURE EFFICIENCY	144 LPW (GT,RV,HV)* 135 LPW (CPC,RV,HV)*	141 LPW (GT,RV,HV)* 130 LPW (CPC,RV,HV)*	159 LPW (GT)* 147 LPW (CPC)*	153 LPW (GT)* 143 LPW (CPC)*	172 LPW (GT)* 158 LPW (CPC)*
LED DRIVER	PHILIPS 120-277 VAC/ PHILIPS 347-480 VAC**	PHILIPS 120-277 VAC/ PHILIPS 347-480 VAC**	INVENTRONICS 90-305VAC**	INVENTRONICS 90-305VAC**	INVENTRONICS 90-305VAC**
LED DRIVER PROTECTION	SHORT CIRCUIT, OPEN CIRCUIT PROTECTION FOR LED +/-	SHORT CIRCUIT, OPEN CIRCUIT PROTECTION FOR LED +/-	SHORT CIRCUIT, OUTPUT OVER VOLTAGE, OVER TEMPERATURE		
SURGE PROTECTION	6 KV	6 KV	≥6 KV	≥6 KV	≥6 KV
POWER FACTOR	> 0.95	> 0.95	> 0.96	> 0.96	> 0.96
THD (total harmonic distortion)	< 10%	< 10%	< 20%	< 20%	< 20%
INRUSH CURRENT	74 A (RV) / 65 A (HV)	74 A (RV) / 65 A (HV)	147 A	147 A	147 A
AMBIENT OPERATING TEMPERATURE	-40 °C TO +65 °C	-40 °C TO +65 °C	-40 °C TO +65 °C	-40 °C TO +65 °C	-40 °C TO +65 °C
T-RAITING FOR (+55°C)	T6	T6	T6	T5	T5
T-RAITING FOR (+65°C)	T6	T5	T5	T5	T5
FIXTURE LIFE (+25°C)	100 000 HOURS	100 000 HOURS	100 000 HOURS	100 000 HOURS	100 000 HOURS
FIXTURE LIFE (+45°C)	100 000 HOURS	100 000 HOURS	100 000 HOURS	90 000 HOURS	90 000 HOURS
FIXTURE LIFE (+55°C)	100 000 HOURS	100 000 HOURS	60 000 HOURS	50 000 HOURS	50 000 HOURS
FIXTURE LIFE (+65°C)	70 000 HOURS	50 000 HOURS	25 000 HOURS	20 000 HOURS	20 000 HOURS
WARRANTY	5 YEAR				

* - Measurement tolerance +/- 10%
 ** - with 0-10 VDC dimming

ETL/cETL CERTIFIED TO:

UL 844 for Use in Hazardous (Classified) Locations
 UL 1598 Suitable for Wet Locations
 UL 1598A Marine Outside Type (Saltwater)
 CSA C22.2 No. 250.0
 CSA C22.2 No. 137
 IP67 rated per IEC 60598-1
 -40°C to +65°C

APPROVED FOR:

Class I Division 2 Groups A, B, C, D
 Class I Zone 2 Group IIB
 Class II Division 1 and 2 Groups E, F, G
 Class II Zone 20, 21, or 22 Group IIB
 Class III
 1Ex d IIC T5/T6 | -40°C to +65°C

ARCUS MOR-HL LED BENEFITS:

- Instant on/no warm up
- Extreme compact size and weight
- Energy-efficient/up to 65% savings when compared to traditional HID lighting
- Up to 23 years (at 12hrs a day) of light, eliminating bulb and ballast replacement maintenance
- Operating ambient -40°C to +65°C
- 5 year warranty
- High CRI for improved visibility and clarity

APPLICATION

- Mid-Bay and High-Bay Lighting
- Explosion Proof
- Locations requiring continuous and consistent light levels in extreme heat or cold.
- Hazardous Storage
- Marine, Engine rooms
- Energy, Gas & Oil
- Manufacturing
- Wastewater



ORDERING INFORMATION: PART NUMBER EXAMPLE MOR-HL-PM-CPC-RV-T5-5K-100W-S



DETAILED INFORMATION

2 FAMILY NAME ENCLOSURE TYPE

HL Hazardous Locations Rated Body

3 MOUNTING SOLUTIONS

- PM** Pendant Mount
- SA** Stanchion Mount 25°
- SS** Stanchion Mount 90°
- WA** Wall Mount 25°
- WM** Wall Mount 90°
- CM** Ceiling Mount
- SB** Swivel Bracket
- EM** Eye-Bolt Mount

4 REFLECTOR (LENS)

- CPC** Clear protective polycarbonate
- GT** Flat tempered clear glass 5 mm
- GTM** Flat tempered clear glass 5 mm and mesh guard

5 VOLTAGE

RV 120-277 VAC, 50/60 Hz
HV*** 347-480 VAC, 50/60 Hz

6 SECONDARY OPTICS

- T5** Full Flood (No Optics - Standard)
- T3****** Street, Aisle Type
- T1****** Long and rectangular for hallways

7 COLOR TEMPERATURE

- 3K** 3000 K
- 4K** 4000 K
- 5K** 5000 K

8 WATTAGE

- 80 W**
- 100 W**
- 120 W**
- 160 W**
- 180 W**

9 BODY COLOR

S Silver (Standard)

*** - only available for 80W, 100W
 **** - only available for GT, GTM

PROJECT INFORMATION

PROJECT NAME:

LOCATION:

DESCRIPTION:

CONTACT INFORMATION:

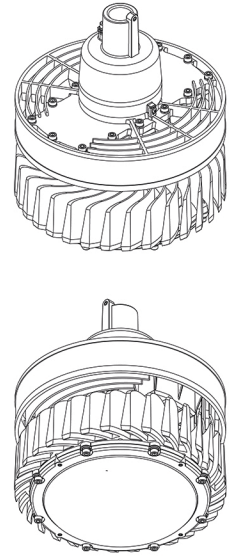
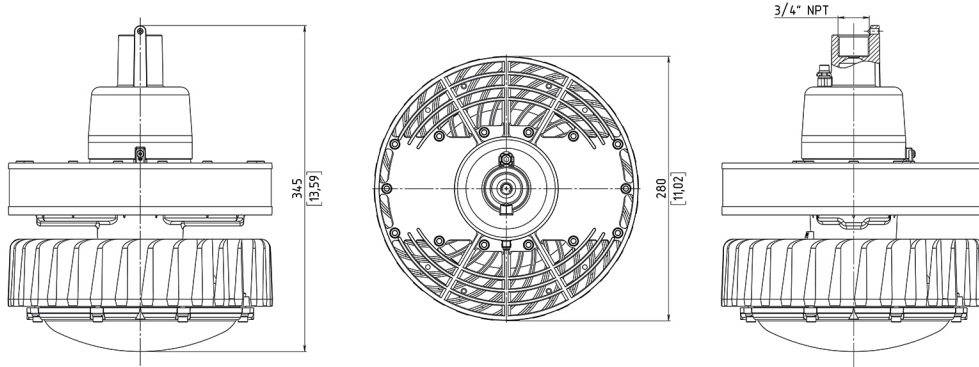
NAME: E-MAIL:

PHONE: DATE:

MOR-HL-PM-80-100W/120-180W

FIXTURE WEIGHT:
 20,7 lb (9,39 kg) / 21,47 lb (9,74 kg)

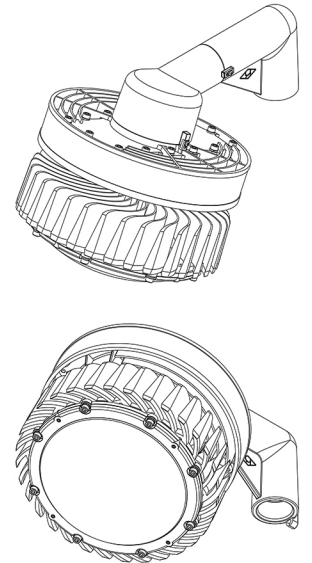
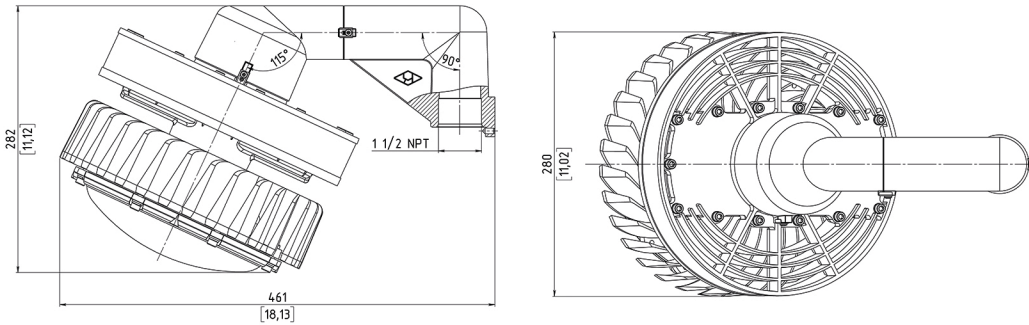
PENDANT MOUNT



MOR-HL-SA-80-100W/120-180W

FIXTURE WEIGHT:
 22,27 lb (10,10 kg) / 23,04 lb (10,45 kg)

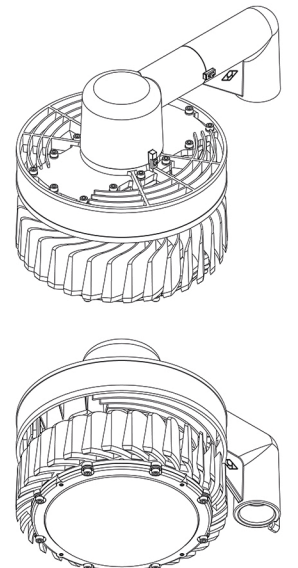
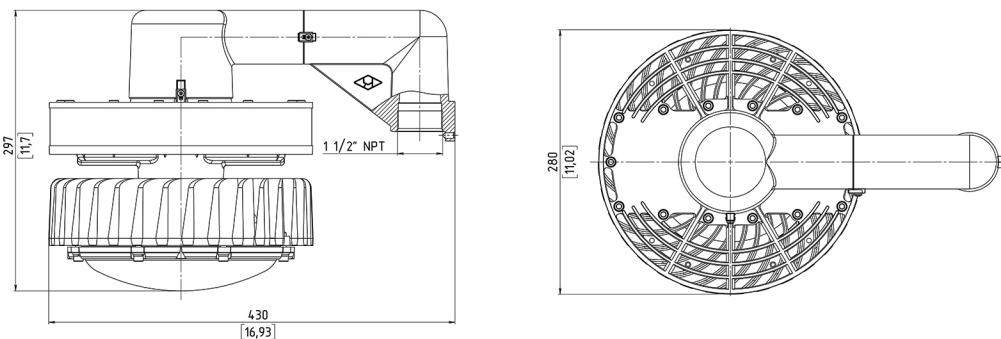
STANCHION MOUNT 25°



MOR-HL-SS-80-100W/120-180W

FIXTURE WEIGHT:
 22,77 lb (10,33 kg) / 23,55 lb (10,68 kg)

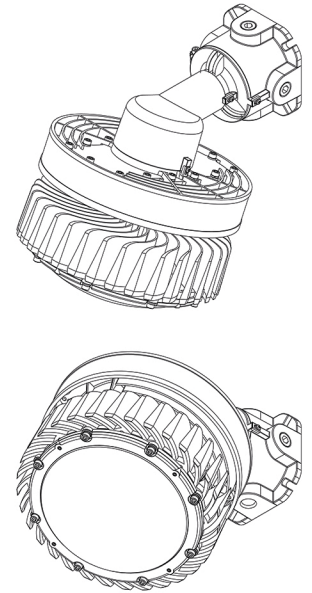
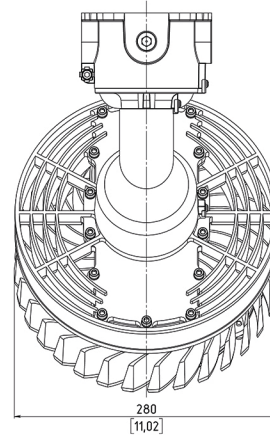
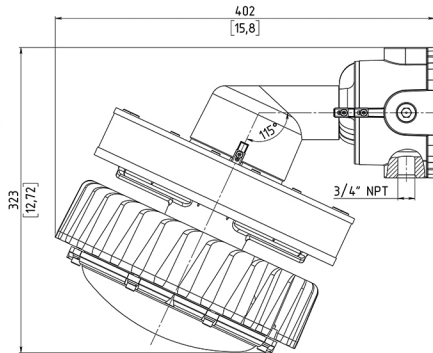
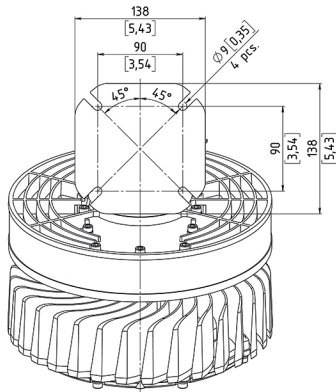
STANCHION MOUNT 90°



MOR-HL-WA-80-100W/120-180W

FIXTURE WEIGHT:
 23,72 lb (10,76 kg) / 24,49 lb (11,11 kg)

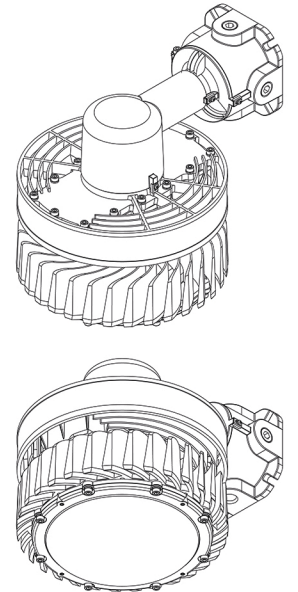
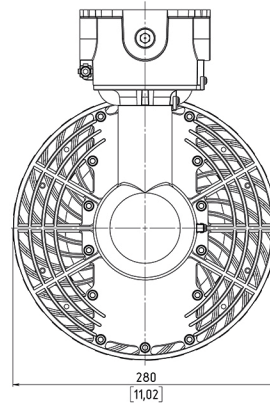
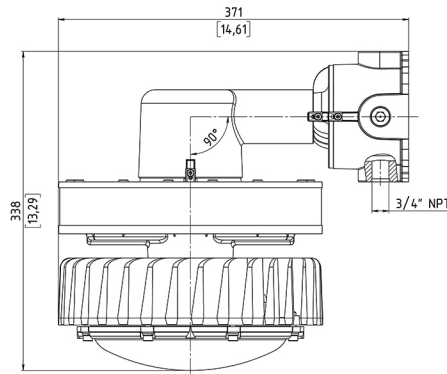
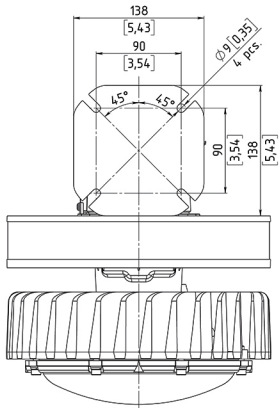
WALL MOUNT 25°



MOR-HL-WM-80-100W/120-180W

FIXTURE WEIGHT:
 24,23 lb (10,99 kg) / 25,0 lb (11,34 kg)

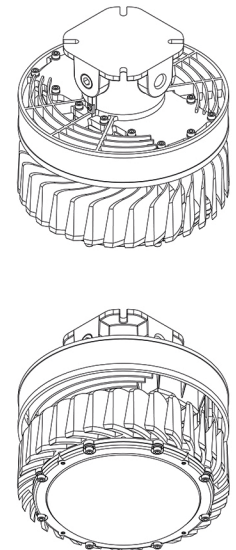
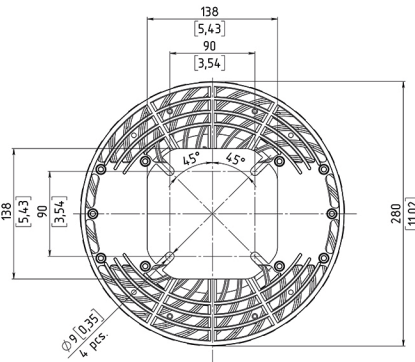
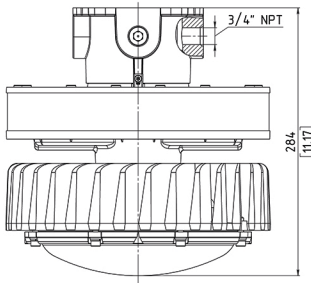
WALL MOUNT 90°



MOR-HL-CM-80-100W/120-180W

FIXTURE WEIGHT:
 21,74 lb (9,86 kg) / 22,51 lb (10,21 kg)

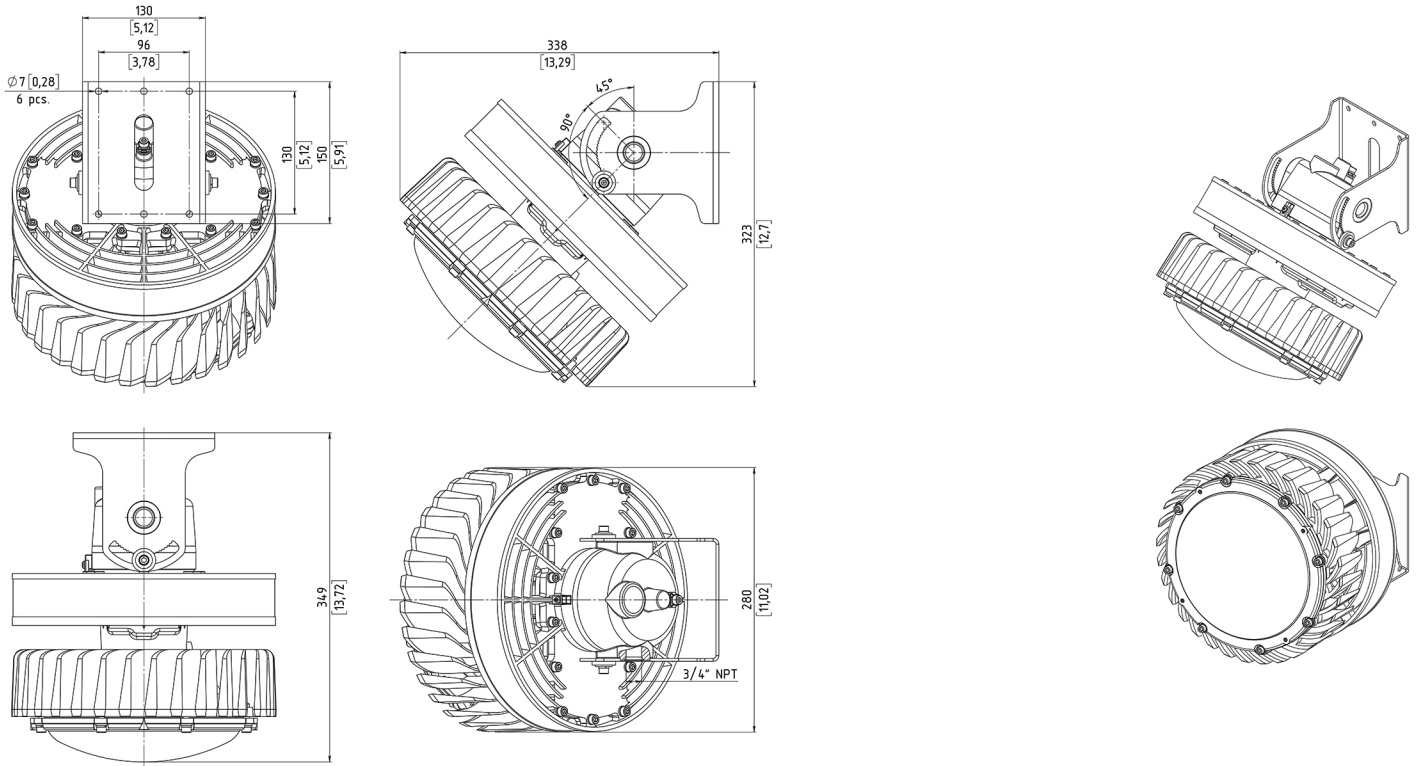
CEILING MOUNT



MOR-HL-SB-80-100W/120-180W

FIXTURE WEIGHT:
 22,91 lb (10,39 kg) / 23,68 lb (10,74 kg)

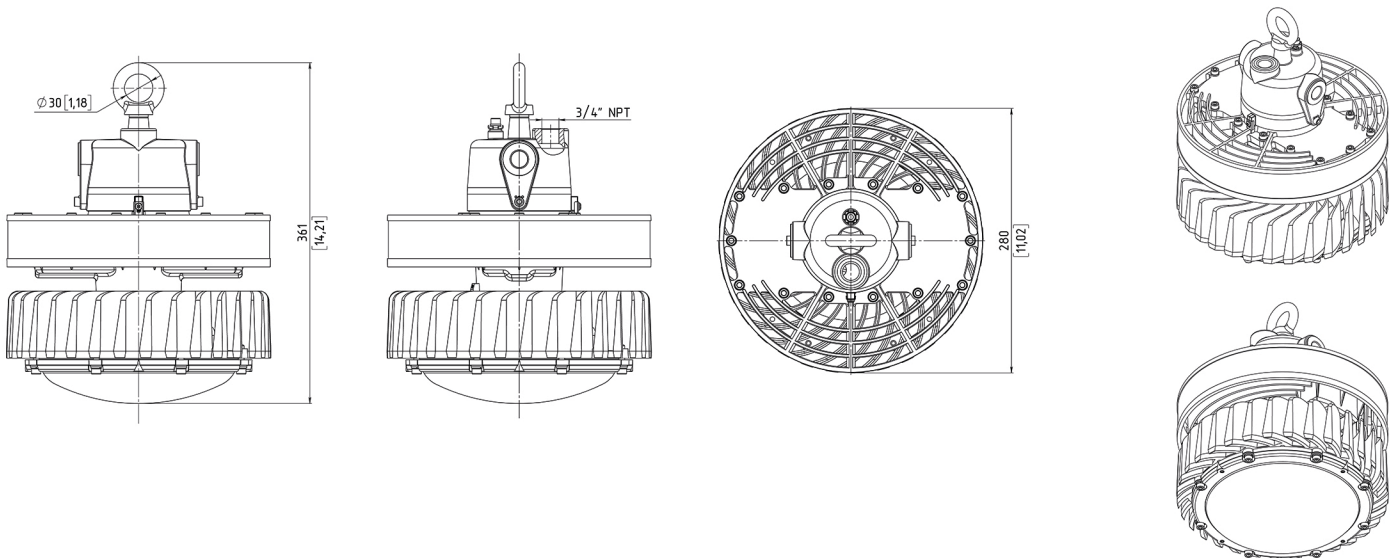
SWIVEL BRACKET



MOR-HL-EM-80-100W/120-180W

FIXTURE WEIGHT:
 20,81 lb (9,44 kg) / 21,58 lb (9,79 kg)

EYE-BOLT MOUNT



 CONTACTS

(858) 353-1073

SALES@ARCUSLIGHT.COM

10457 ROSELLE STREET, SUITE #E
SAN DIEGO, CA 92121