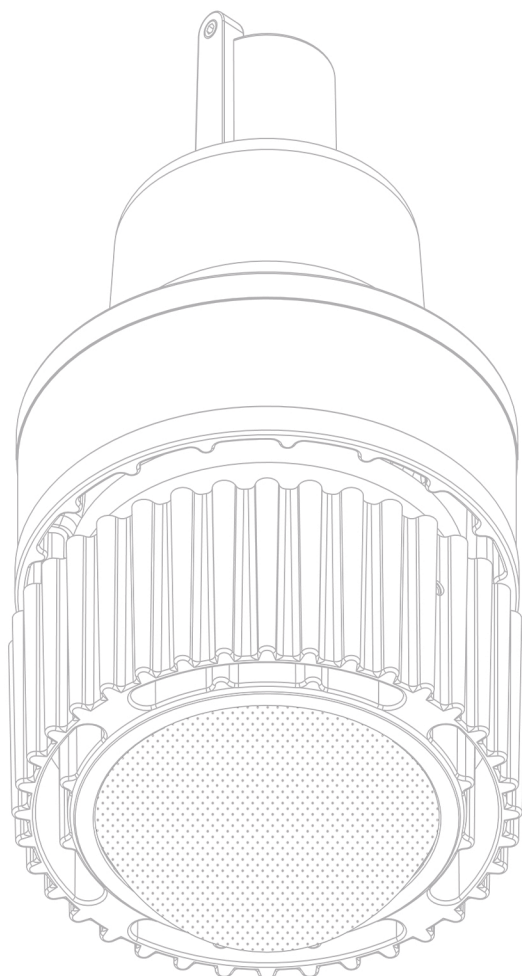




A R C U S

ROBUS™ Family



APPLICATION

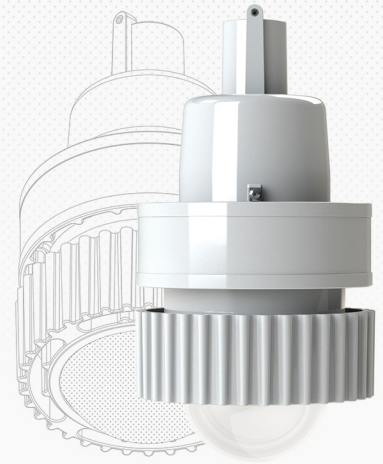
Robus™ luminaires are suitable for use in the following hazardous (classified) areas as defined by the National Electrical Code (NEC):

- Class I, Div. 1, groups C, D
- Class I, Div. 2, groups A, B, C, D
- Class II, Div. 1 and 2, groups E, F, G
- Class III

Refer to the luminaire nameplate for specific classification information, maximum ambient temperature suitability and corresponding operating temperature (T- Code).

Robus luminaire is designed for use indoors and outdoors in marine and wet locations, where moisture, dirt, corrosion, vibration, and rough usage may be present. Morion luminaires are supplied for use with a choice of voltages:

- 120 VAC-277 VAC, 50/60 Hz
- 347 VAC-480 VAC, 50/60 Hz



WARNING

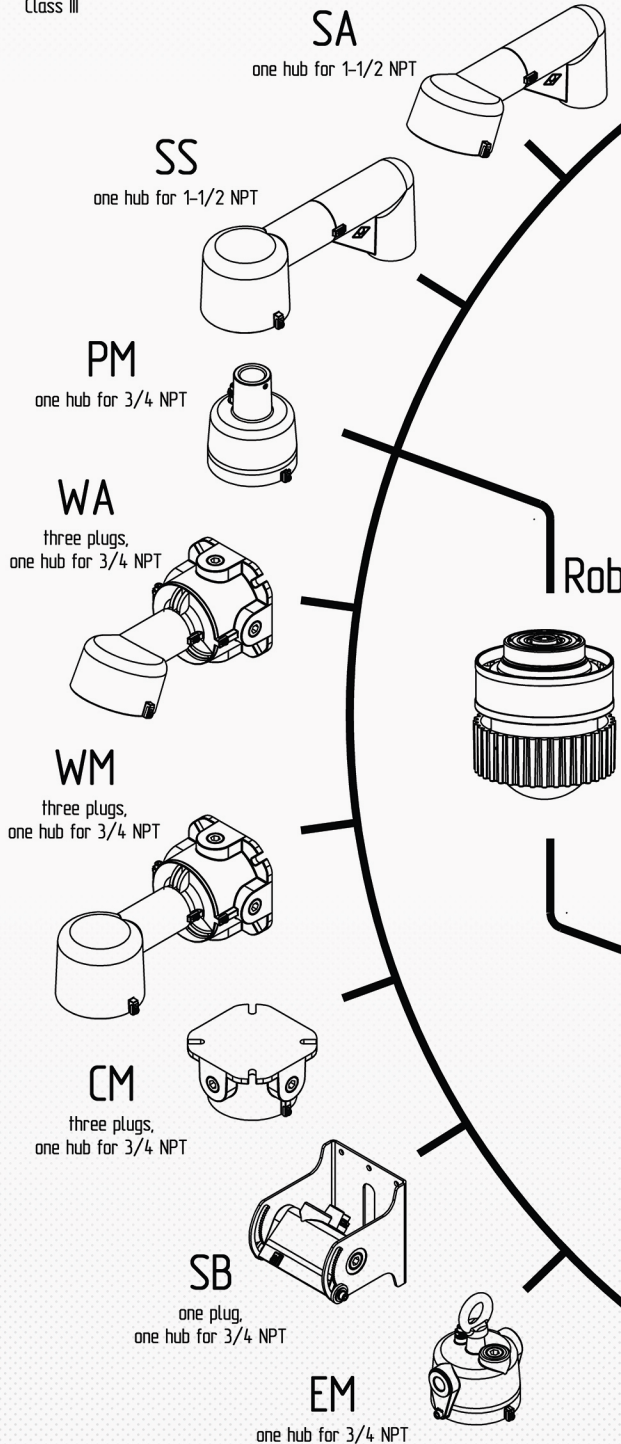
- 1 To avoid the risk of fire, explosion, or electric shock, this product should be installed, inspected, and maintained by a qualified electrician only, in accordance with all applicable electrical codes.
- 2 To avoid electric shock:
 - A. Be certain electrical power is OFF before and during installation and maintenance.
 - B. Luminaire must be supplied by a wiring system with an equipment-grounding conductor.
- 3 To avoid explosion:
 - A. Make sure that the supply voltage is the same as the luminaire voltage.
 - B. Do not install where the marked operating temperatures exceed the ignition temperature of the hazardous atmosphere.
 - C. Do not operate in ambient temperatures above those indicated on the luminaire nameplate.
 - D. All gasket seals must be clean and undamaged.
 - E. Use proper supply wiring as specified on the luminaire nameplate.
 - F. Before dismounting, electrical power to the luminaire must be turned off, keep tightly closed when in operation.

READ ALL INSTRUCTIONS CAREFULLY BEFORE BEGINNING THE INSTALLATION!

ROBUS FAMILY TREE

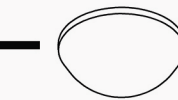
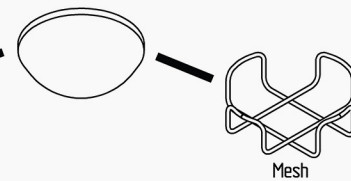
Mounting modules

Class I, Div. 1, groups C, D
 Class I, Div. 2, groups A, B, C, D
 Class II, Div. 1, 2, groups E, F, G
 Class III



Diffusers

GBM – borosilicate clear glass and mesh.
 Class I, Div. 1, groups C, D
 Class I, Div. 2, groups A, B, C, D
 Class II, Div 1, 2, groups E, F, G
 Class III

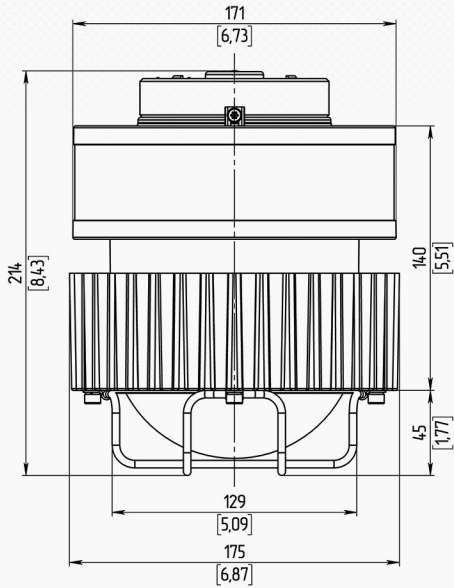


GB – borosilicate clear glass.
 Class I, Div. 1, groups C, D
 Class I, Div 2, groups A, B, C, D
 Class II, Div 1, 2, groups E, F, G
 Class III

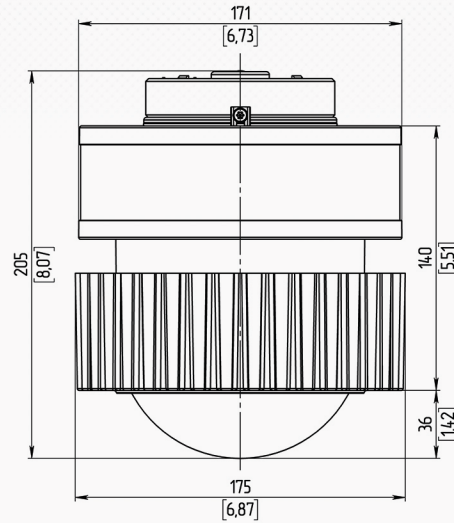


CPC – clear protective polycarbonate
 Class I, Div 2, groups A, B, C, D
 Class II, Div 1, 2, groups E, F, G
 Class III

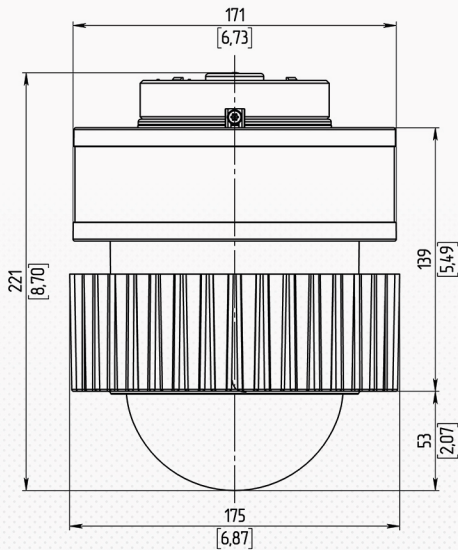
DIMENSIONS



GBM DIFFUSER
FIGURE 1



GB DIFFUSER
FIGURE 2



CPC DIFFUSER
FIGURE 3

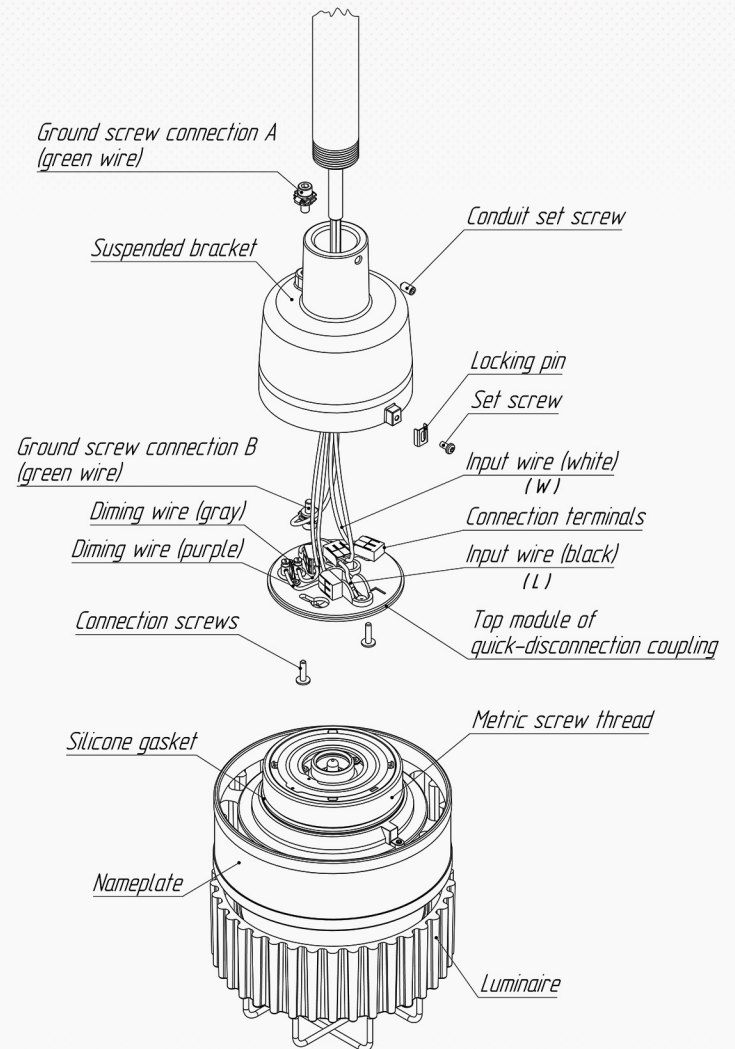
TO PREVENT THREAD GALLING, LIGHTLY LUBRICATE ALL MOUNTING THREADS!

INSTALLATION OF MOUNTING ACCESSORIES

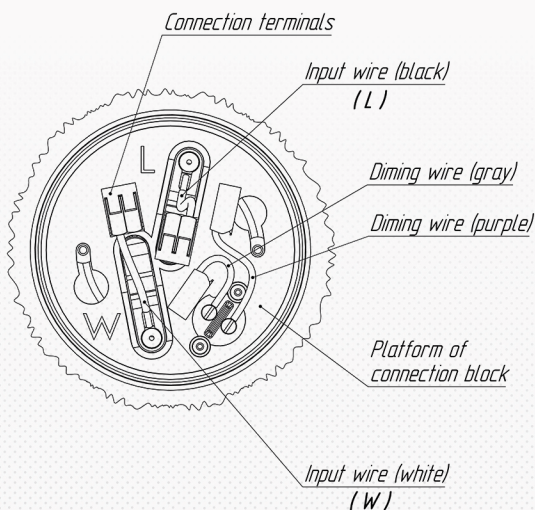
PM MOUNTING MODULE INSTALLATION:

(See Figure 4,5,6) (Hub mounting thread is 3/4 NPT)

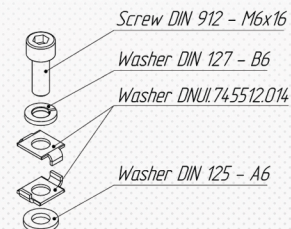
1. Remove the top module of quick-disconnection coupling from the suspended bracket by loosening two screws.
2. Pull field wiring into the suspended bracket.
3. Apply a small amount of lubricant to the suspended bracket metric thread.
4. Mount the suspended bracket on the conduit.
5. Tighten conduit set screw.
6. Attach circuit GREEN ground wire to ground screw connection B inside the suspended bracket and then attach outer GREEN ground wire to ground screw connection A outside the suspended bracket.
7. Attach ungrounded primary supply wire to connection terminal, which attached to BLACK wire, other supply wire to connection terminal, which attached to WHITE wire.
8. Attach PURPLE diming wire to isolator contact, which marked with purple label, and GRAY diming wire to isolator contact, which marked with gray label. (If you need this function).
9. Tighten all electrical connections securely.
10. Insert top module of quick-disconnection coupling into the suspended bracket, and install the two connection screws.
11. Apply a small amount of lubricant to the luminaire metric thread.
12. Thread luminaire assembly completely into the suspended bracket.
13. Lock luminaire with locking pin, tighten set screw.



PM MOUNTING MODULE
FIGURE 4



TOP MODULE OF QUICK-DISCONNECTION COUPLING
FIGURE 5

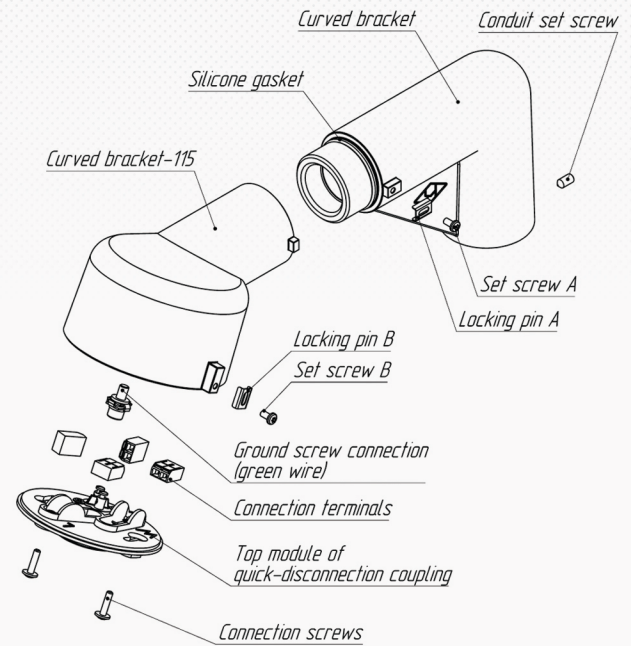


GROUND SCREW CONNECTION
FIGURE 6

SA MOUNTING MODULE INSTALLATION:

(See Figure 7 and 4,5,6) (Hub mounting thread is 1-1/2 NPT)

1. Remove the top module of quick-disconnection coupling from the curved bracket-115 by loosening two connection screws.
2. Pull field wiring into the curved bracket.
3. Apply a small amount of lubricant to the curved bracket threads.
4. Mount curved bracket on the conduit.
5. Tighten conduit set screw.
6. Pull field wiring into the curved bracket-115.
7. Thread curved bracket-115 assembly completely on the curved bracket.
8. Lock connection with locking pin A, tighten set screw A.
9. Attach circuit GREEN ground wire to ground screw connection into the curved bracket-115.
10. Attach ungrounded primary supply wire to connection terminal, which attached to BLACK wire, other supply wire to connection terminal, which attached to WHITE wire.
11. Attach PURPLE diming wire to isolator contact, which marked with purple label, and GRAY diming wire to isolator contact, which marked with gray label. (If you need this function).
12. Tighten all electrical connections securely.
13. Insert top module of quick-disconnection coupling into the curved bracket-115 and install the two connection screws.
14. Apply a small amount of lubricant to the luminaire metric thread.
15. Thread luminaire assembly completely into the curved bracket-115 of the SA mounting module.
16. Lock luminaire with locking pin B, tighten set screw B.

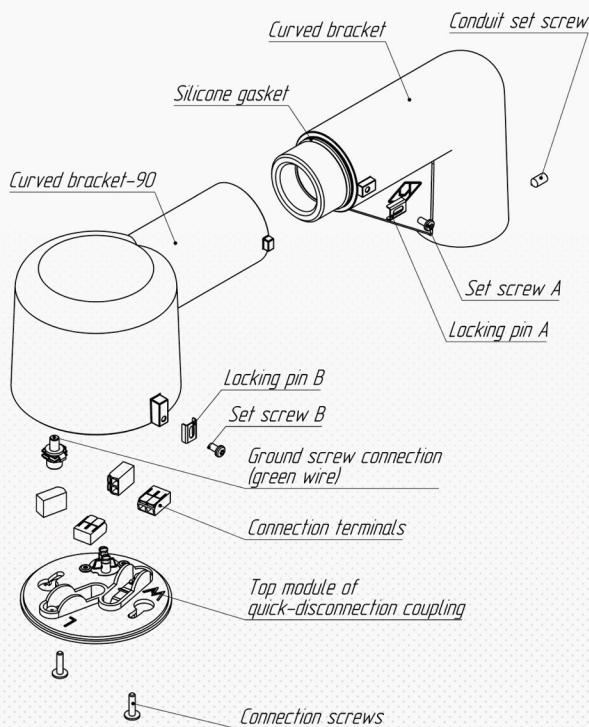


**SA MOUNTING MODULE
FIGURE 7**

SS MOUNTING MODULE INSTALLATION:

(See Figure 8 and 4,5,6) (Hub mounting thread is 1-1/2 NPT)

1. Remove the top module of quick-disconnection coupling from the curved bracket-90 by loosening two connection screws.
2. Pull field wiring into the curved bracket.
3. Apply a small amount of lubricant to the curved bracket threads.
4. Mount curved bracket on the conduit.
5. Tighten conduit set screw.
6. Pull field wiring into the the curved bracket-90.
7. Thread curved bracket-90 assembly completely on the curved bracket.
8. Lock connection with locking pin A, tighten set screw A.
9. Attach circuit GREEN ground wire to ground screw connection into the curved bracket-90.
10. Attach ungrounded primary supply wire to connection terminal, which attached to BLACK wire, other supply wire to connection terminal, which attached to WHITE wire.
11. Attach PURPLE diming wire to isolator contact, which marked with purple label, and GRAY diming wire to isolator contact, which marked with gray label. (If you need this function).
12. Tighten all electrical connections securely.
13. Insert top module of quick-disconnection coupling into the curved bracket-90 and install the two connection screws.
14. Apply a small amount of lubricant to the luminaire metric thread.
15. Thread luminaire assembly completely into the curved bracket-90 of the SS mounting module.
16. Lock luminaire with locking pin B, tighten set screw B.

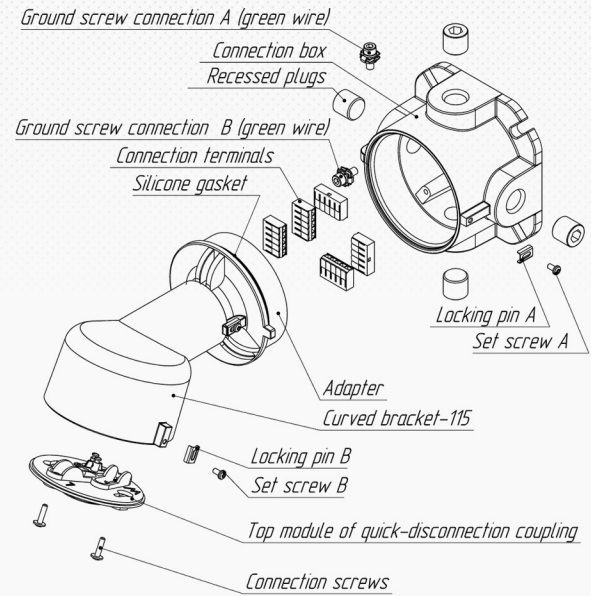


**SS MOUNTING MODULE
FIGURE 8**

WA MOUNTING MODULE INSTALLATION:

(See Figure 9 and 4,5,6) (Wall mounting)

1. Use connection box as a template, mark and drill desired location on mounting surface.
2. Secure connection box to surface using M8 bolts or lag screws (not provided).
3. Remove the necessary recessed plugs from connection box, by using hex key 14 mm, 0,55".
4. Pull field wiring into the connection box.
5. Attach circuit GREEN ground wire to ground screw connection B inside the connection box and then attach outer GREEN ground wire to ground screw connection A outside the connection box.
6. Remove the top module of quick-disconnection coupling from the curved bracket-115 by loosening two screws.
7. Attach ungrounded primary supply wire to connection terminal, which attached to BLACK wire, other supply wire to connection terminal, which attached to WHITE wire.
8. Attach PURPLE diming wire to isolator contact, which marked with purple label, and GRAY diming wire to isolator contact, which marked with gray label. (If you need this function).
9. Tighten all electrical connections securely.
10. Apply a small amount of lubricant to the connection box thread.
11. Thread Adapter with curved bracket-115 assembly completely into the connection box.
12. Lock connection with locking pin A, tighten set screw A.
13. Rotate the top module of quick-disconnection coupling to correct the wires.
14. Insert top module of quick-disconnection coupling into the curved bracket-115 and install the two connection screws.
15. Apply a small amount of lubricant to the luminaire metric thread.
16. Thread luminaire assembly completely into the curved bracket-115 of the WA mounting module.
17. Lock mounting module with locking pin B, tighten set screw B.

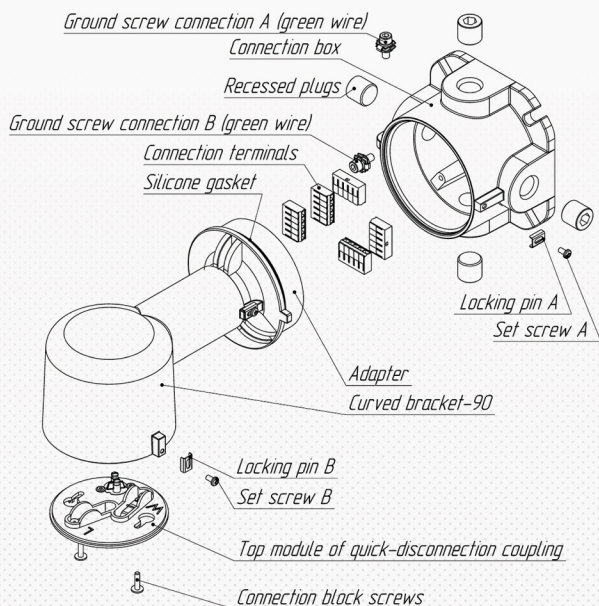


**WA MOUNTING MODULE
FIGURE 9**

WM MOUNTING MODULE INSTALLATION:

(See Figure 10 and 4,5,6) (Wall mounting)

1. Use connection box as a template, mark and drill desired location on mounting surface.
2. Secure connection box to surface using M8 bolts or lag screws (not provided).
3. Remove the necessary recessed plugs from connection box, by using hex key 14 mm, 0,55".
4. Pull field wiring into the Connection box.
5. Attach circuit GREEN ground wire to ground screw connection B inside the connection box and then attach outer GREEN ground wire to ground screw connection A outside the connection box.
6. Remove the top module of quick-disconnection coupling from the curved bracket-90 by loosening two screws.
7. Attach ungrounded primary supply wire to connection terminal, which attached to BLACK wire, other supply wire to connection terminal, which attached to WHITE wire.
8. Attach PURPLE diming wire to isolator contact, which marked with purple label, and GRAY diming wire to isolator contact, which marked with gray label. (If you need this function).
9. Tighten all electrical connections securely.
10. Apply a small amount of lubricant to the connection box thread.
11. Thread adapter with curved bracket-90 assembly completely into the connection box.
12. Lock connection with locking pin A, tighten set screw A.
13. Rotate the top module of quick-disconnection coupling to correct the wires.
14. Insert top module of quick-disconnection coupling into the curved bracket-90 and install the two connection screws.
15. Apply a small amount of lubricant to the luminaire metric thread.
16. Thread luminaire assembly completely into the curved bracket-90 of the WM mounting module.
17. Lock mounting module with locking pin B, tighten set screw B.

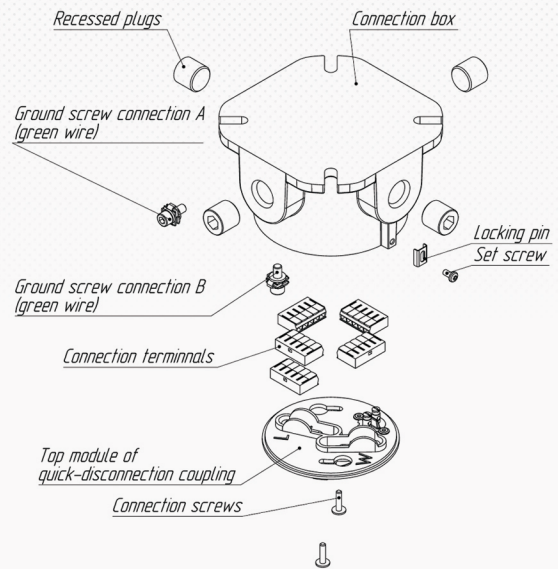


**WM MOUNTING MODULE
FIGURE 10**

CM MOUNTING MODULE INSTALLATION:

(See Figure 11 and 4,5,6) (Wall mounting)

1. Use CM mounting module as a template, mark and drill desired location on mounting surface.
2. Secure CM mounting module to surface using M8 bolts or lag screws (not provided).
3. Remove the necessary recessed plugs from CM mounting module, by using hex key 14 mm, 0,55".
4. Remove the top module of quick-disconnection coupling from the connection box by loosening two screws.
5. Pull field wiring into the connection box.
6. Attach circuit GREEN ground wire to ground screw connection B inside the connection box and then attach outer GREEN ground wire to ground screw connection A outside the connection box.
7. Attach ungrounded primary supply wire to connection terminal, which attached to BLACK wire, other supply wire to connection terminal, which attached to WHITE wire.
8. Attach PURPLE diming wire to isolator contact, which marked with purple label, and GRAY diming wire to isolator contact, which marked with gray label. (If you need this function).
9. Tighten all electrical connections securely.
10. Insert top module of quick-disconnection coupling into the connection box and install the two connection screws.
11. Apply a small amount of lubricant to the luminaire metric thread.
12. Thread luminaire assembly completely into the connection box of the CM mounting module.
13. Lock mounting module with locking pin, tighten set screw.

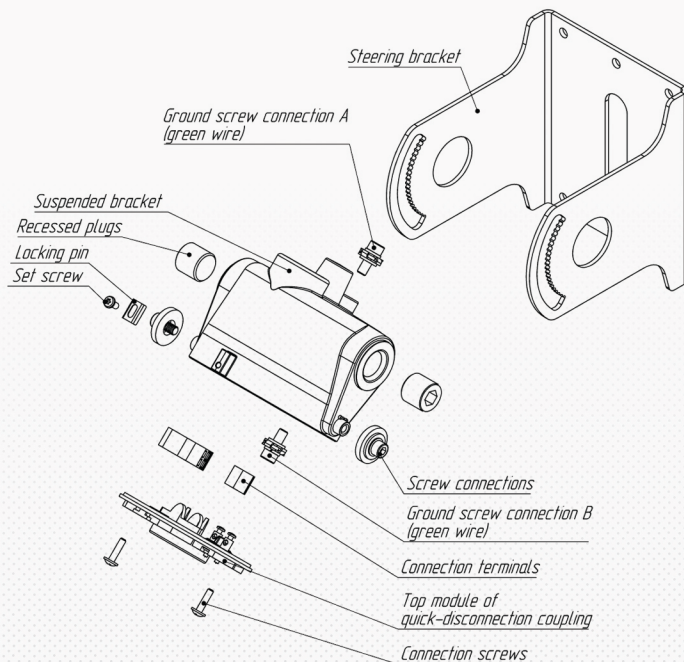


CM MOUNTING MODULE
FIGURE 11

SB MOUNTING MODULE INSTALLATION:

(See Figure 12 and 4,5,6) (Wall mounting)

1. Use steering bracket as a template, mark and drill desired location on mounting surface.
2. Secure the steering bracket to surface using M6 bolts or lag screws (not provided).
3. Install suspended bracket inside the steering bracket.
4. Thread screw connections.
5. To make final adjustment, loosen the pivot and locking screws to position at the desired angle.
6. Tighten the two screw connections.
7. Remove the necessary recessed plugs from suspended bracket, by using hex key 14 mm, 0,55".
8. Pull field wiring into the suspended bracket.
9. Attach circuit GREEN ground wire to ground screw connection B inside the suspended bracket and then attach outer GREEN ground wire to ground screw connection A outside the suspended bracket.
10. Remove the top module of quick-disconnection coupling from the suspended bracket by loosening two screws.
11. Attach ungrounded primary supply wire to connection terminal, which attached to BLACK wire, other supply wire to connection terminal, which attached to WHITE wire.
12. Attach PURPLE diming wire to isolator contact, which marked with purple label, and GRAY diming wire to isolator contact, which marked with gray label. (If you need this function).
13. Tighten all electrical connections securely.
14. Insert top module of quick-disconnection coupling into the suspended bracket and install the two connection screws.
15. Apply a small amount of lubricant to the luminaire metric thread.
16. Thread luminaire assembly completely into the suspended bracket of the SB mounting module.
17. Lock mounting module with locking pin, tighten set screw.

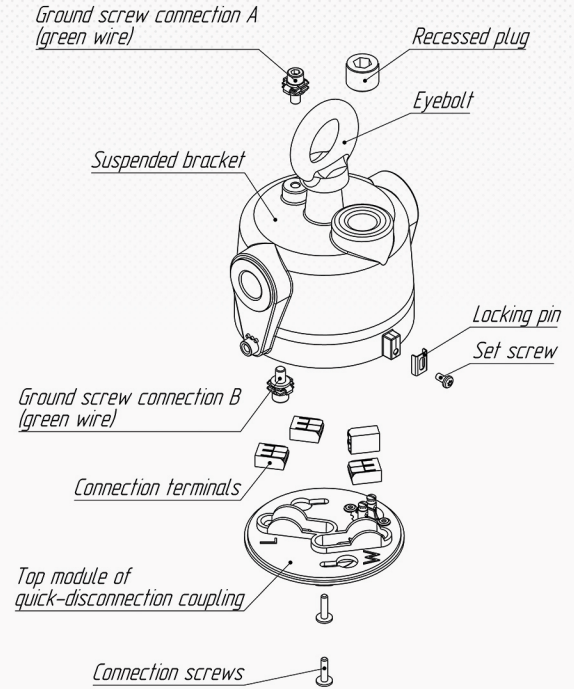


SB MOUNTING MODULE
FIGURE 12

EM MOUNTING MODULE INSTALLATION:

(See Figure 13 and 4,5,6) (Suspended mounting)

1. Remove the recessed plug from the EM mounting module, by using hex key 14 mm, 0,55".
2. Mount the EM mounting module by using eyebolt.
3. Remove the top module of quick-disconnection coupling from the suspended bracket by loosening two connection screws.
4. Pull field wiring into the suspended bracket.
5. Attach circuit GREEN ground wire to ground screw connection B inside the suspended bracket and then attach outer GREEN ground wire to ground screw connection A outside the suspended bracket.
6. Attach ungrounded primary supply wire to connection terminal, which attached to BLACK wire, other supply wire to connection terminal, which attached to WHITE wire.
7. Attach PURPLE diming wire to isolator contact, which marked with purple label, and GRAY diming wire to isolator contact, which marked with gray label. (If you need this function).
8. Tighten all electrical connections securely
9. Insert top module of quick-disconnection coupling into the suspended bracket, and install the two connection screws.
10. Apply a small amount of lubricant to the luminaire metric thread.
11. Thread luminaire assembly completely into the EM mounting module.
12. Lock luminaire with locking pin, tighten set screw.



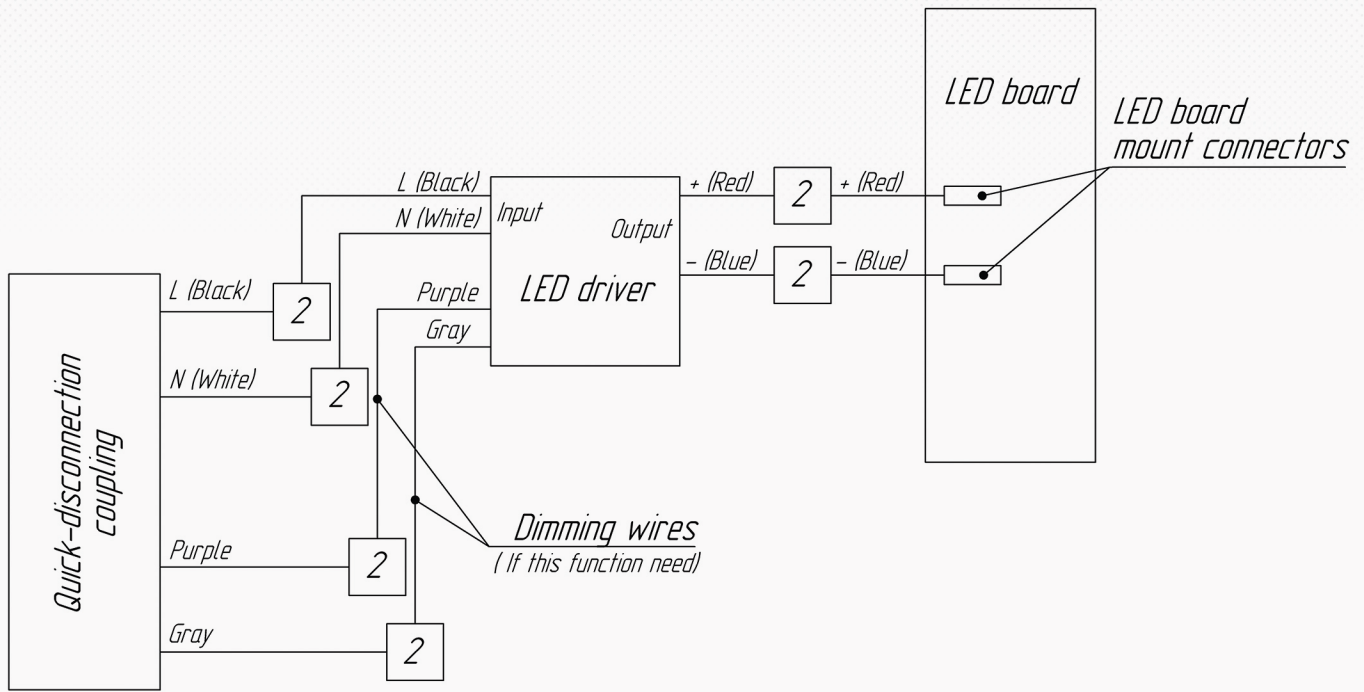
**EM MOUNTING MODULE
FIGURE 13**

MAINTENANCE

- 1 Perform visual, electrical, and mechanical inspections on a regular basis. The environment and frequency of use should determine this. However, it is recommended that checks be made at least once a year. We recommend an Electrical Preventive Maintenance Program as described in the National Fire Protection Association Bulletin NFPA No. 70B: Recommended Practice For Electrical Equipment Maintenance (www.nfpa.org).
- 2 The lens should be cleaned periodically to ensure continued lighting performance. To clean, wipe the lens with a clean, damp cloth. If this is not sufficient, use a mild soap or a liquid cleaner. Do not use an abrasive, strong alkaline, or acid cleaner. Damage may result.
- 3 Visually check for undue heating evidenced by discoloration of wires or other components, damaged parts, or leakage evidenced by water or corrosion in the interior. Replace all worn, damaged, or malfunctioning components, and clean gasket seals before putting the luminaire back into service.
- 4 Electrically check to make sure that all connections are clean and tight.
- 5 Mechanically check that all parts are properly assembled.
- 6 To prevent heat build-up, remove dust from the fins on the LED housing, using a soft brush or air pressure.



WIRING DIAGRAM



2 WAGO 2-Pole lever lock PN: 222-412

SAVE THESE INSTRUCTIONS FOR FUTURE REFERENCE