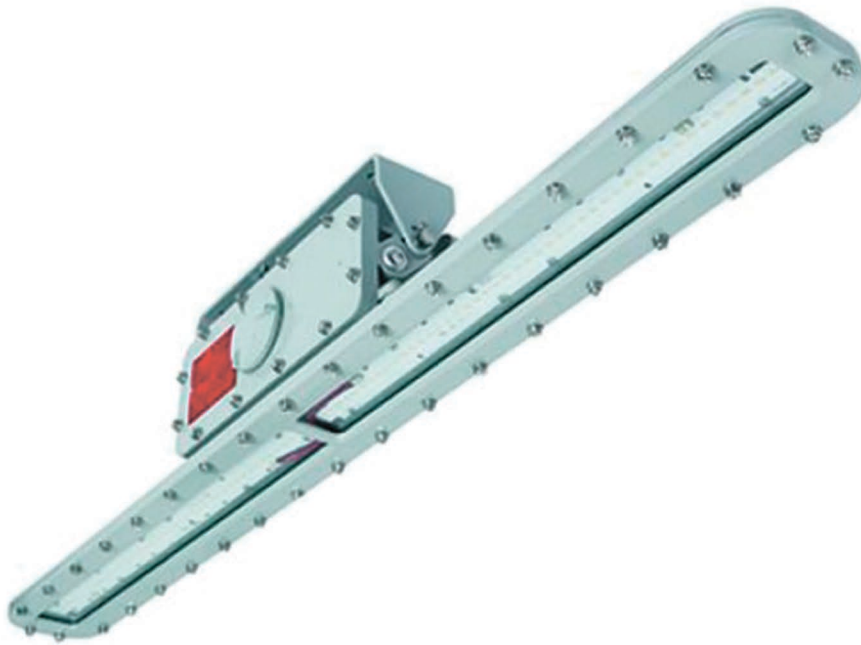
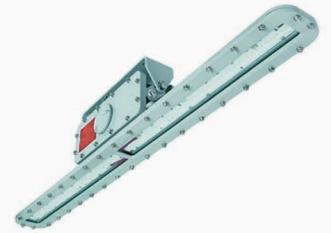


A R C U S

LIN-EX LED LUMINARIES



LINEAIR™ FOR EX



EXPLOSION PROOF 

LINEAIR™ FOR HL



HAZARDOUS LOCATION 

LINEAIR™ FOR IL



INDUSTRIAL LOCATION 

SPECIFICATION

RATED POWER	30 W	38 W	45 W	54 W	75 W	90 W
LUMEN OUTPUT	3 806 Lm	4 794 Lm	6 139 Lm	7 291 Lm	9 290 Lm	12 253 Lm
FIXTURE LENGTH	2 FT			4 FT		
AMBIENT TEMPERATURE	-40 °C to +55 °C			-40 °C to +60 °C		
FIXTURE EFFICIENCY	129 LPW	128 LPW	135 LPW	134 LPW	130 LPW	140 LPW
COLOR TEMPERATURE (CCT)	4 084	4 095	4 091	4 167	4 180	4 120
OPERATING VOLTAGE	RV 120-277 V, 50/60 Hz HV 347/480 V, 60 Hz					
CRI	82					
T-RATING	T6					
BODY	A360 Aluminum (less than 0.4% copper content) with baked-on gray epoxy finish					
GASKETS	One-piece neoprene					
LENS	Tempered glass					
HARDWARE	Stainless steel					
WARRANTY	5 Years					
	Provided by AZZ					

STANDARD FEATURES:

- Low-profile, lightweight design
- Convenient wiring access through screw-cap cover with toolless, cage clamp terminal block
- Self-contained emergency battery backup, no additional junction box required
- Heavy-duty, 7/16" thick die-cast safety cable attachment points
- Replaceable LED circuit boards and drivers with quick disconnects
- Adjustable mounting bracket with 90 degree range of motion and 13 locking positions (Not included. Must be ordered separately.)

ADDITIONAL FEATURES:

- Supplemental 10kV surge protection
- Central safety cable attachment points for increased safety/reduced range of motion
- Feed-through and pendant mount capable
- Diffused lens option
- 5-year warranty

STANDARD MATERIALS:

- Body: A360 Aluminum (less than .4% copper content) with baked-on gray epoxy finish
- Gaskets: One-piece neoprene
- Lens: Tempered glass
- Hardware: Stainless steel

CLASSIFICATIONS:

Class I, Division 1, Groups C & D
 Class I, Division 2, Groups C & D
 UL 844 Hazardous Locations
 UL 924 Emergency Lighting
 UL 1598A Marine Outside Type
 UL 1598 Wet Locations
 UL 8750 LED Safety
 IEC/ATEX
 CSA C22.2 No. 250.0-08
 CSA C22.2 No. 137-M1981
 NEMA 4X, 7CD
 IP66
 Emergency Battery Backup
 -40°C to 65°C Ambient Temperature
 Tested to LM79 and LM80
 DLC Listed LED



ORDERING INFORMATION: PART NUMBER EXAMPLE LIN-EX-SB-C-RV-N-4K-38W-S



DETAILED INFORMATION

<p>2 FAMILY NAME ENCLOSURE TYPE</p> <p>EX (Explosion Proof Rated Body)</p>	<p>3 MOUNTING SOLUTIONS</p> <p>SB SWIVEL BRACKET</p>	<p>4 REFLECTOR (LENS)</p> <p>C Clear D Diffused</p>	<p>5 VOLTAGE</p> <p>RV 120/277 VAC, 50/60 Hz HV 347/480 VAC, 60 Hz</p>
<p>6 BATTERY BACKUP</p> <p>BB Emergency battery backup (NOT AVAILABLE WITH 347/480 V) N NONE</p>	<p>7 COLOR TEMPERATURE</p> <p>4K 4 000 K</p>	<p>8 WATTAGE</p> <p>30W 38W 45W 54W 75W 90W</p>	<p>9 BODY COLOR</p> <p>S Silver (Standard)</p>

PROJECT INFORMATION

PROJECT NAME:

LOCATION:

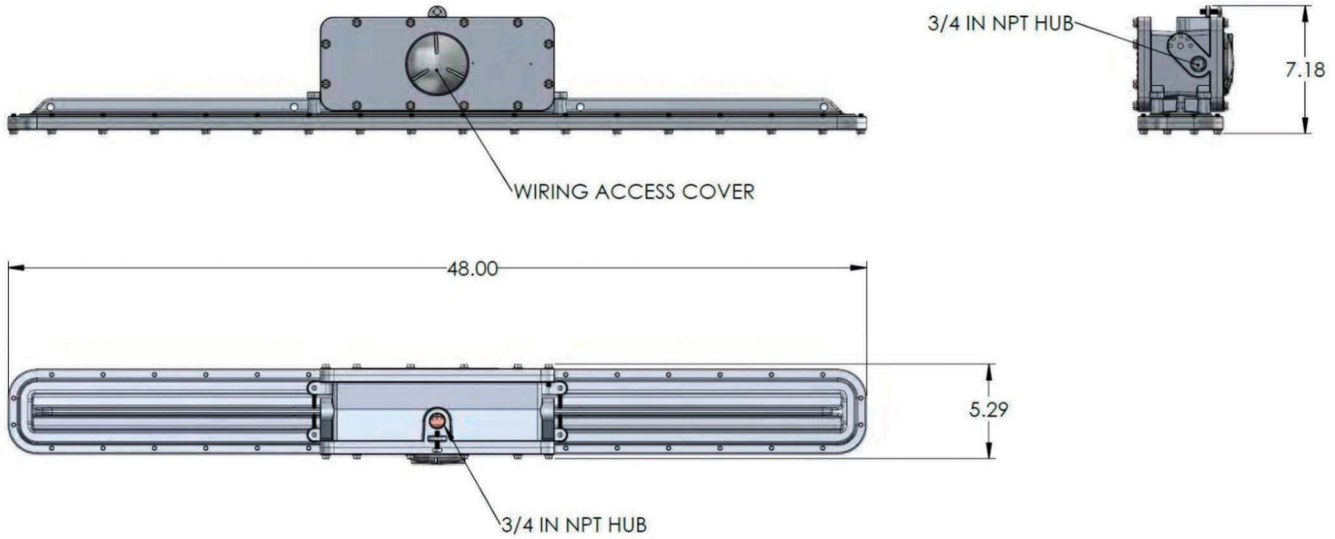
DESCRIPTION:

CONTACT INFORMATION:

NAME: E-MAIL:

PHONE: DATE:

LIN-EX



XML SERIES	Dimensions (inches)	Boxed Weight	Shipping Volume
	A		
4 ft. models	48.00	36 lbs.	1.47 cu. ft.
2 ft. models	24.00	26.5 lbs.	.76 cu. ft.

 CONTACTS

(858) 353-1073

SALES@ARCUSLIGHT.COM

10457 ROSELLE STREET
SAN DIEGO, CA 92121